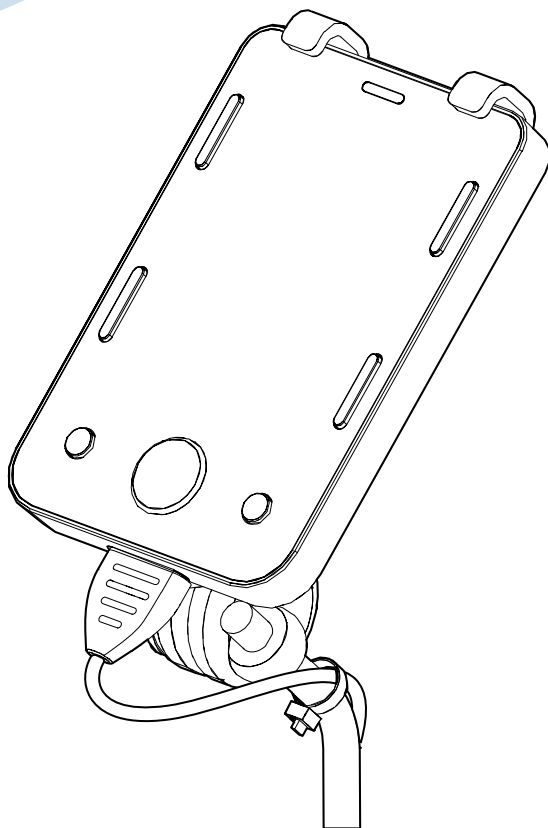


Omni2 Corpus

Assembly instruction



permobil

Thank you for choosing to be part of the Permobil family!

This is the Assembly Instruction of your new accessory. An assembly instruction is not a stand-alone document, but rather a complement to the wheelchair's User's Manual. It can sometimes refer to the User's Manual or the Service Manual.

This Assembly Instruction contains important information, installation instructions, and adjustment instructions. The instructions on how to install the accessory are intended for the service technician only. All other parts of the Assembly Instruction are intended for both the service technician and the user of the wheelchair. In the section Safety information, you find definitions of the admonitions used in this Assembly Instruction. Translations of these definitions can be found in the section Safety instructions. In the section General warnings for this product you find instructions for admonitions used in this Assembly Instruction, if any.

We hope that you are going to enjoy your new accessory. This accessory is intended to be used with a Permobil wheelchair. For more information regarding indoor and outdoor use, and for further information about your wheelchair, please see the wheelchair's User's Manual.

Contents

Important information	4
Safety information	5
Preparation.....	6
Installing the electronics box	7
Installing the display and display arm.....	23
Adjusting the display arm	37
Adjusting the display	39
User and service information	40
Safety instructions.....	41
Contact us	43

Important information

Read this manual

Read this manual, including all admonitions and instructions, before you install, maintain, or use your accessory. Failure to follow these instructions and admonitions can lead to bodily injury or damage to the accessory or wheelchair.

Visually impaired

This document can be downloaded at www.permobil.com. If you are visually impaired, use the magnifying glass in your PDF reader to achieve desired text and picture size.

Order or download a copy of the instructions

If you need another copy of this Assembly Instruction, you can order one from Permobil. Please state the order number specified on the back cover. You can also download a copy from our website: www.permobil.com

Service and repairs

Please refer to the wheelchair's User's Manual for information about service and repairs.

Reporting an incident

Please contact Permobil or your dealer if you want to report an incident. The accessory does not have a serial number. However, if the accessory is attached to the wheelchair, we will ask for the wheelchair's serial number. This serial number is located on the chassis.

Warranty and expected service life

Contact your dealer or Permobil for information about the warranty period of this product. You can find the conditions of the warranty and further information about applicable warranties on our website.

This accessory has an expected service life of five years.

Scrapping and recycling

Contact Permobil for information about scrapping and recycling agreements in force.

Safety information

The following safety labels are used throughout this manual to draw attention to items of significant importance to safety:

Labels



Crushing

Risk of crushing hands or other body parts.



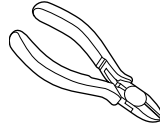
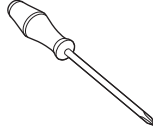
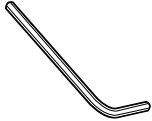
Notice

Signal word used to indicate informative remarks.

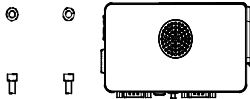
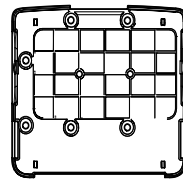
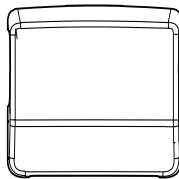
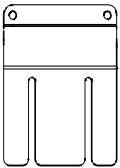
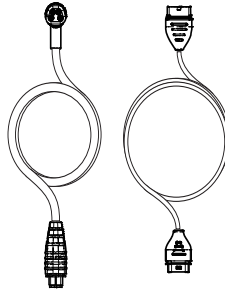
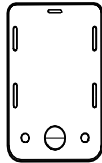
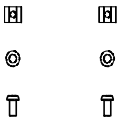
Preparation



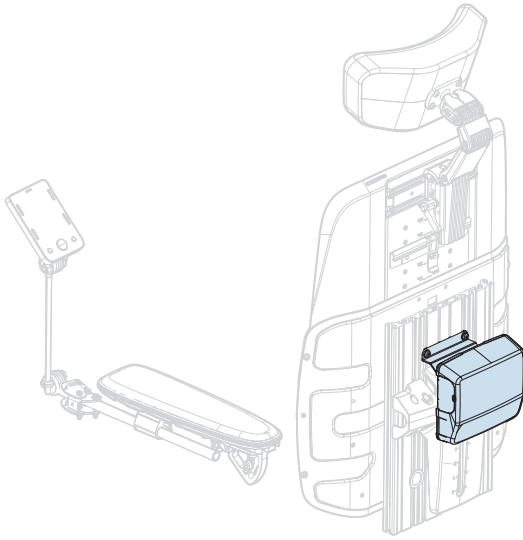
Necessary tools



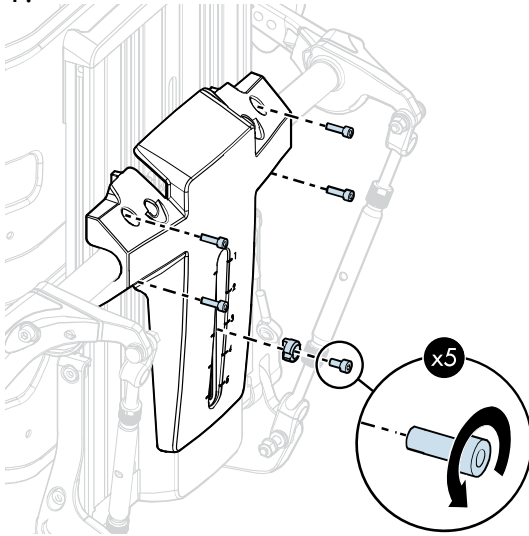
Assembly kit



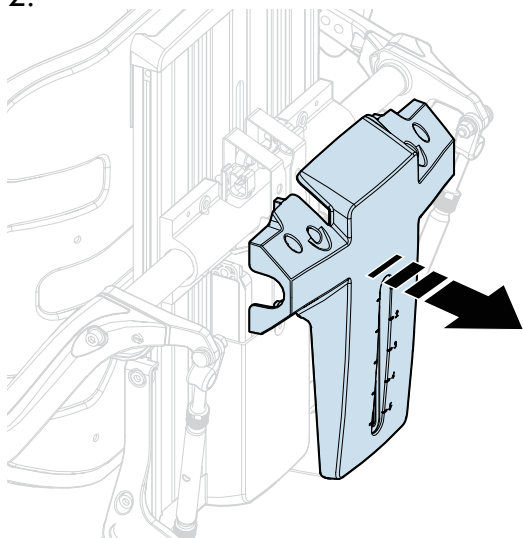
Installing the electronics box



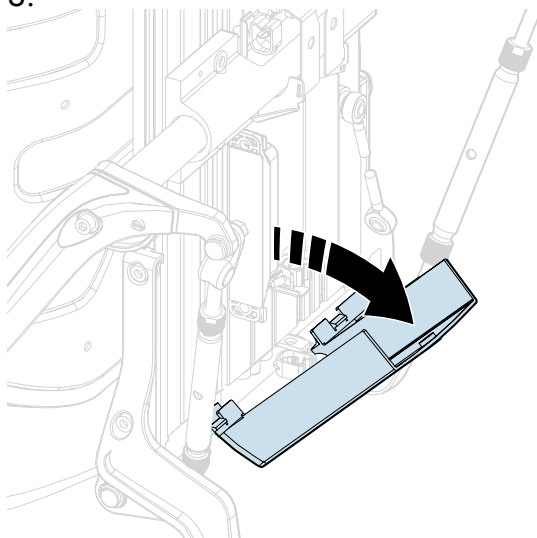
1.



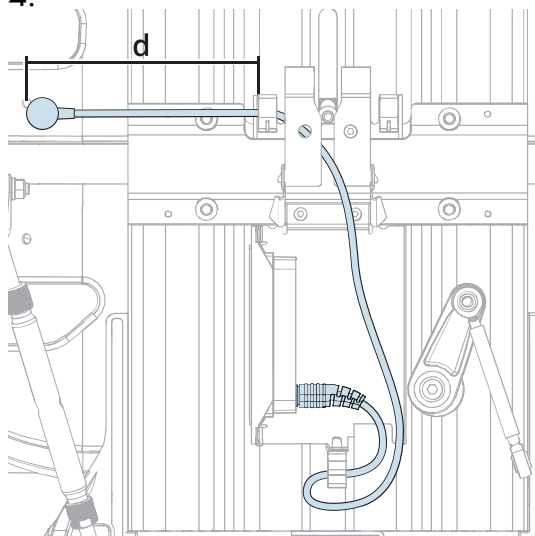
2.



3.

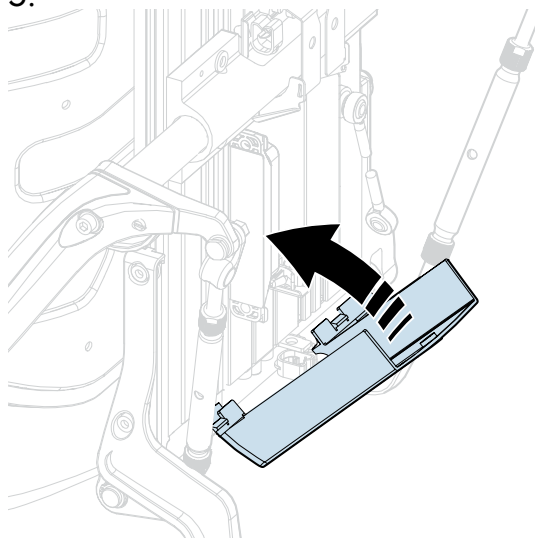


4.

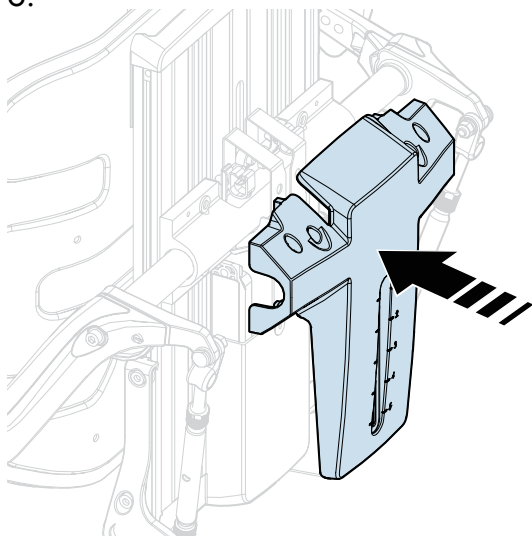


d= 280 mm / 11"

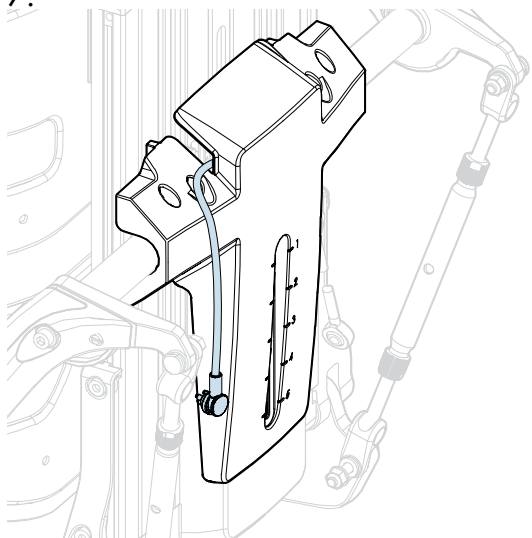
5.



6.

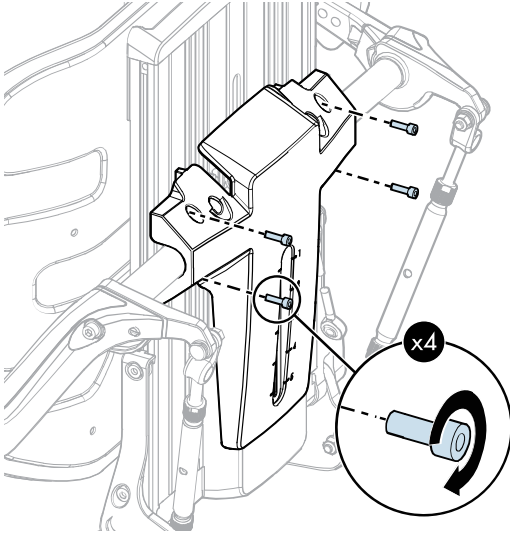


7.



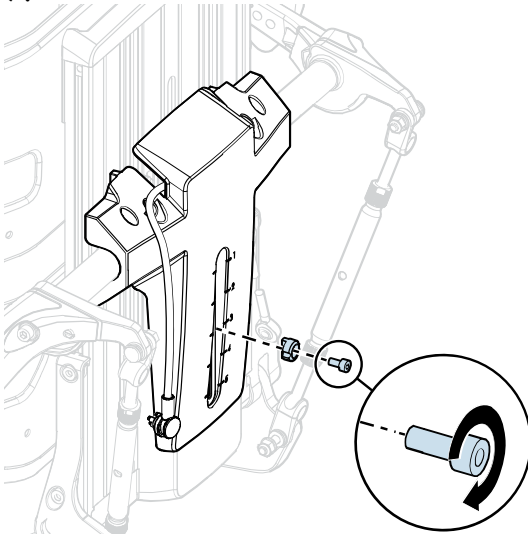
8.

$T = 5.7 \text{ N m} / 4.2 \text{ lb. ft.}$

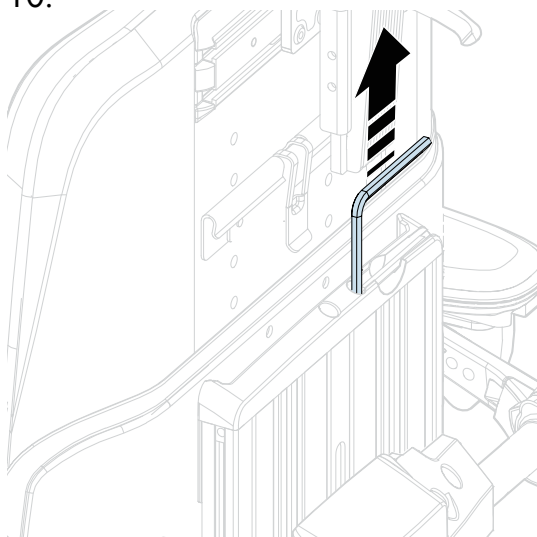


9.

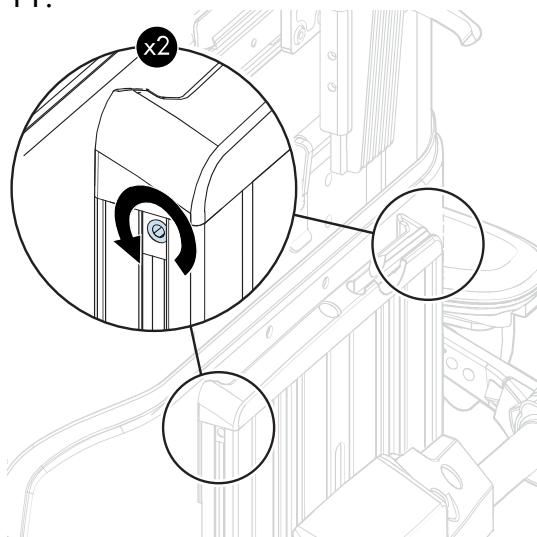
$T = 1.2 \text{ N m} / 0.9 \text{ lb. ft.}$



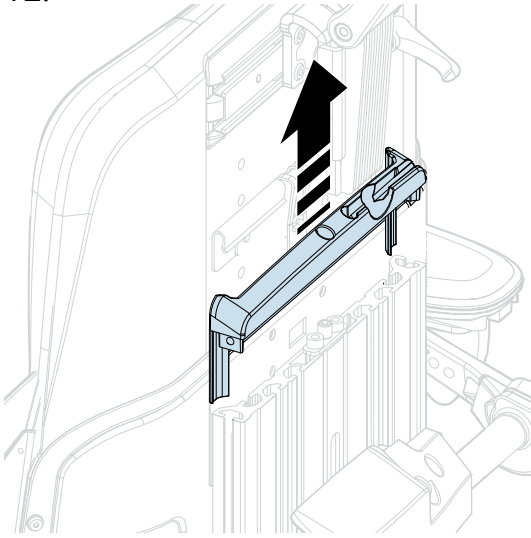
10.



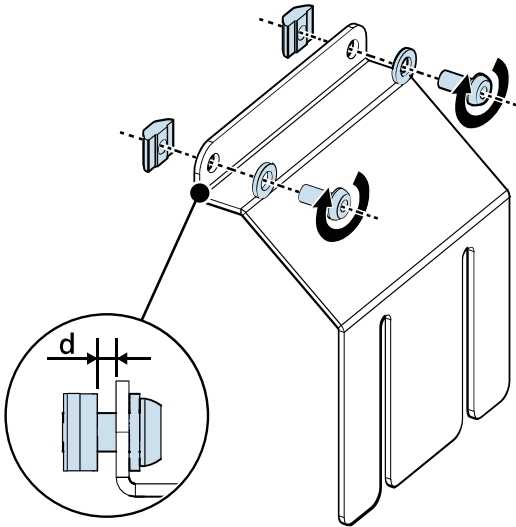
11.



12.

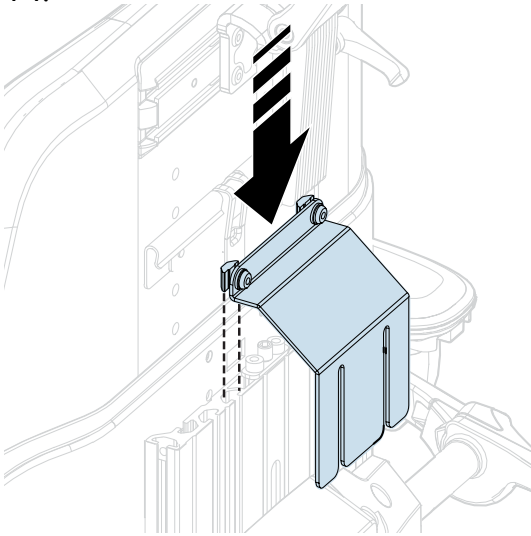


13.

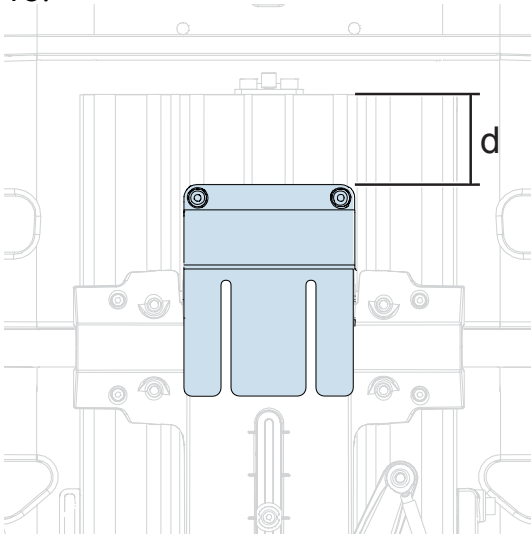


$d \approx 5 \text{ mm} / 0.2''$

14.



15.



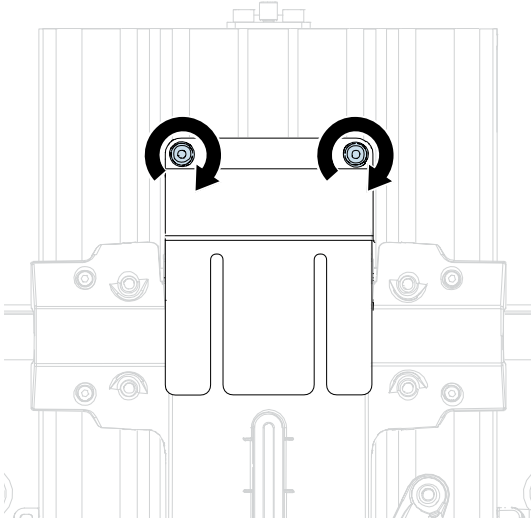
Armrest height 1–3 for Corpus: $d = 45 \text{ mm} / 1.77''$

Armrest height 4–5 for Corpus: $d = 20 \text{ mm} / 0.79''$

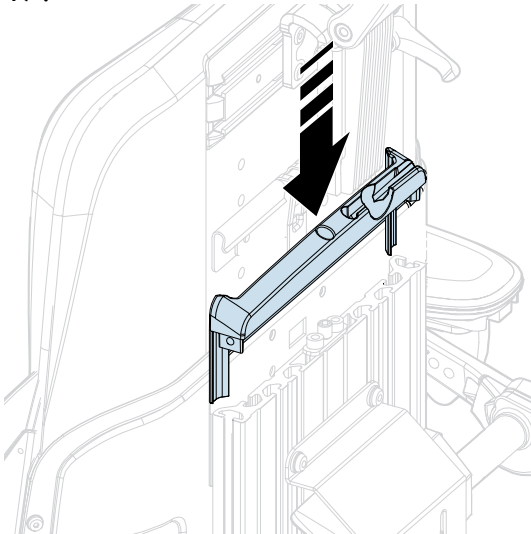
Corpus HD: $d = 0\text{--}60 \text{ mm} / 2.36''$

16.

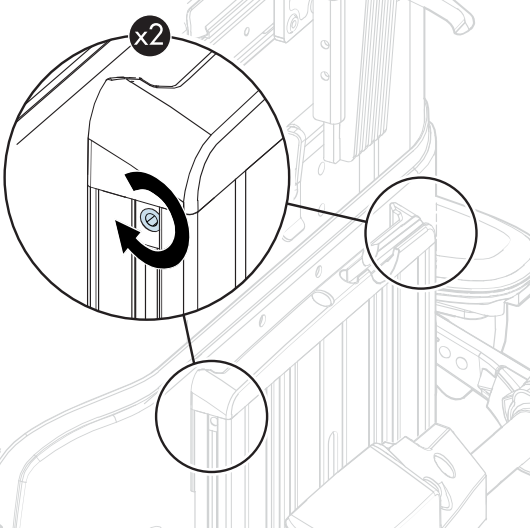
$T = 9.8 \text{ N m} / 7.2 \text{ lb. ft.}$



17.

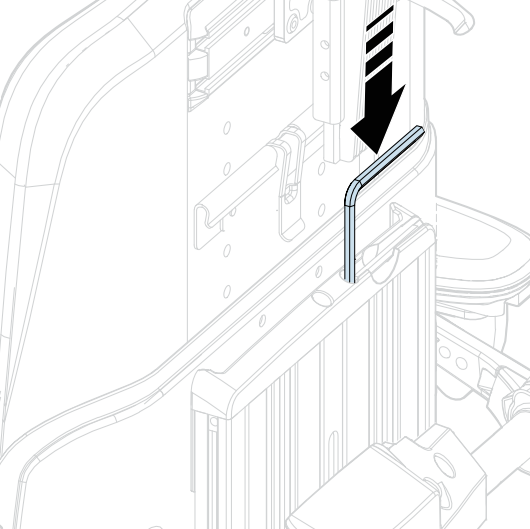


18.

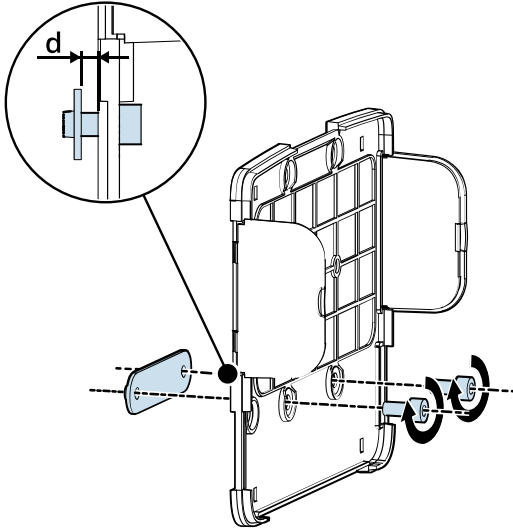


$T = 1.2 \text{ N m} / 0.9 \text{ lb. ft.}$

19.

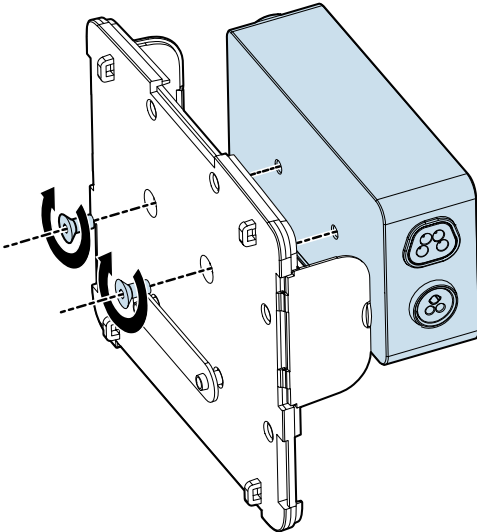


20.



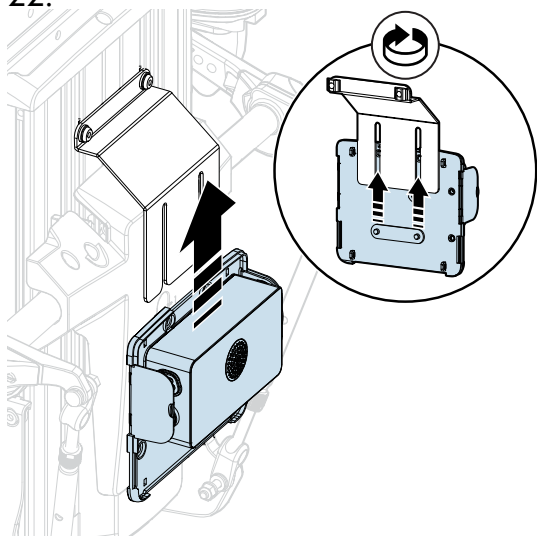
$d \approx 4 \text{ mm} / 0.16''$

21.

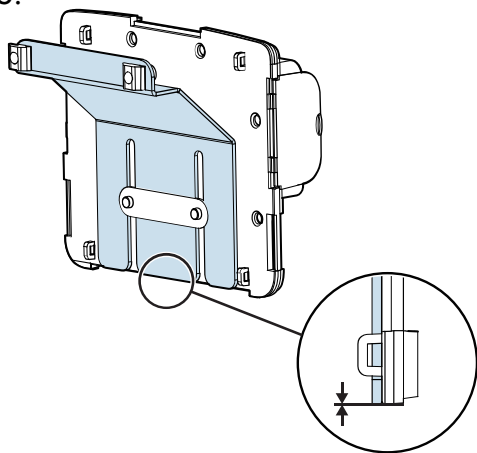


$T = 2.9 \text{ N m} / 2.14 \text{ lb. ft.}$

22.

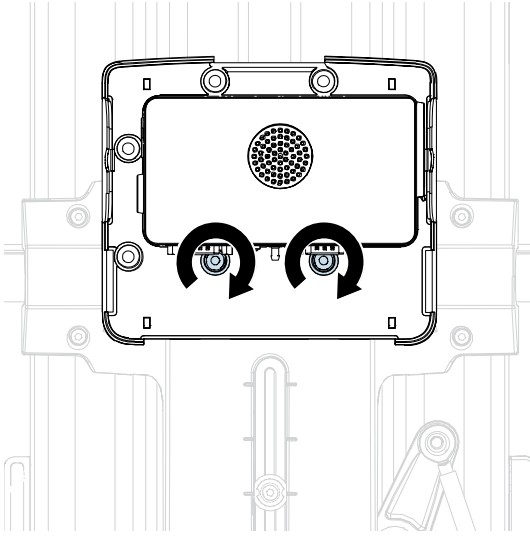


23.

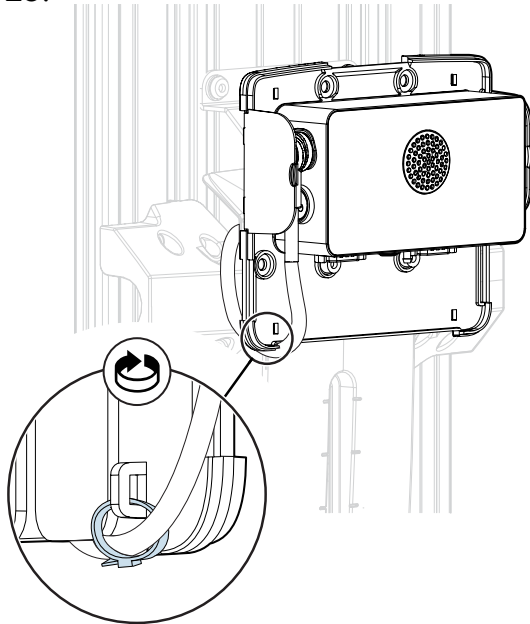


24.

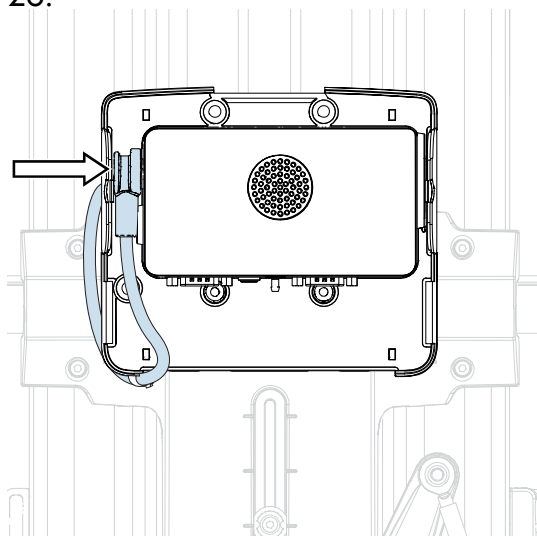
$T = 2.9 \text{ N m} / 2.14 \text{ lb. ft.}$



25.

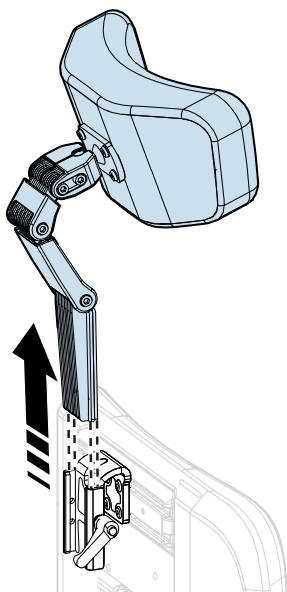


26.

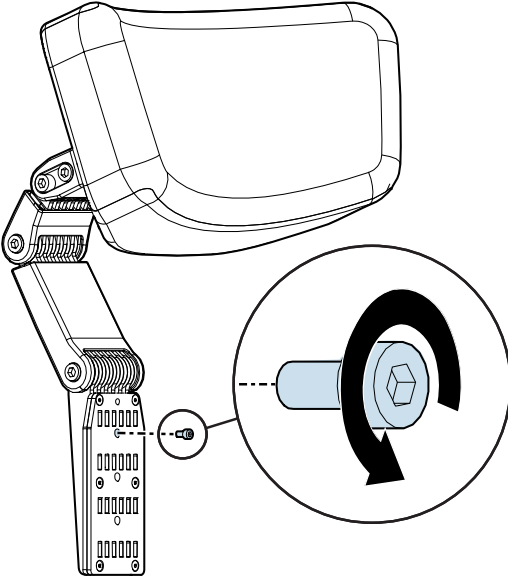


27.

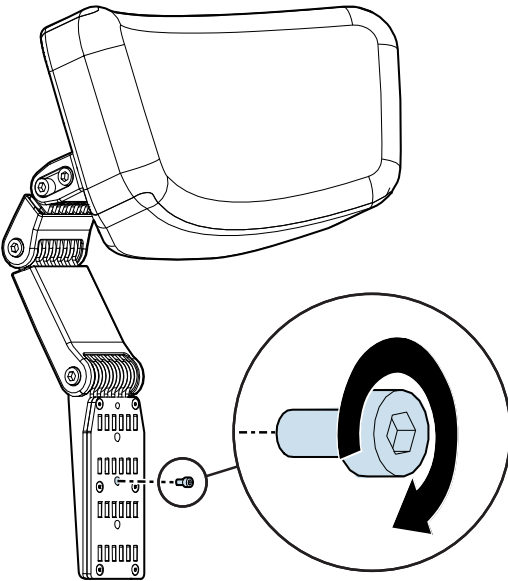
28.



29.

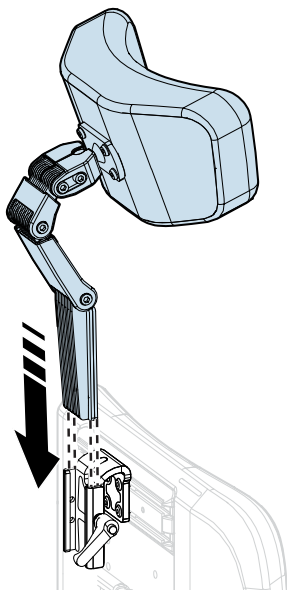


30.

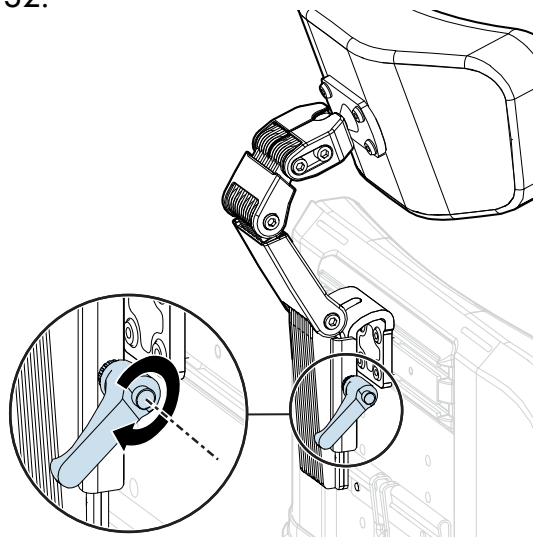


$T = 1.2 \text{ N m} / 0.9 \text{ lb. ft.}$

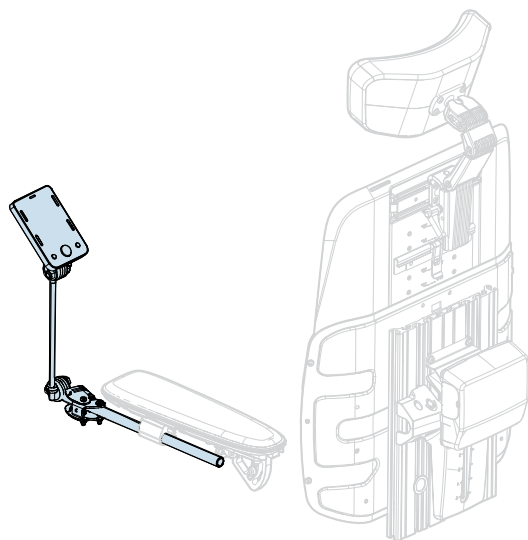
31.



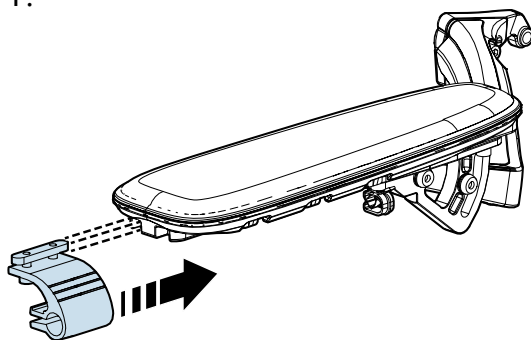
32.



Installing the display and display arm



1.

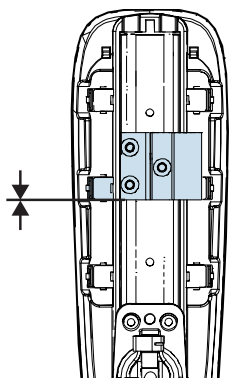


① Notice

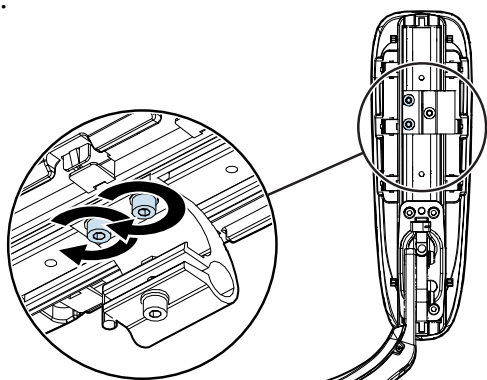
This manual only shows the assembly instructions for one side.

MUL page 41

2.

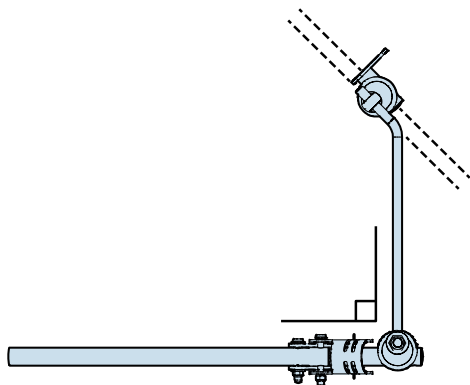


3.

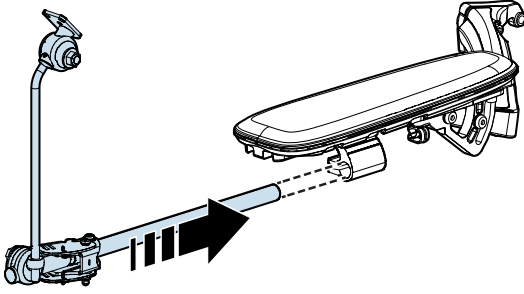


$T = 9.8 \text{ N m} / 7.2 \text{ lb. ft.}$

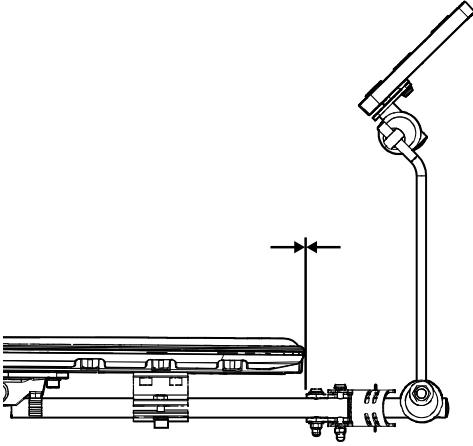
4.



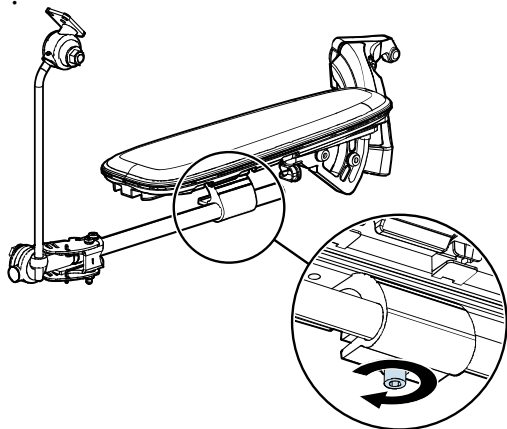
5.



6.

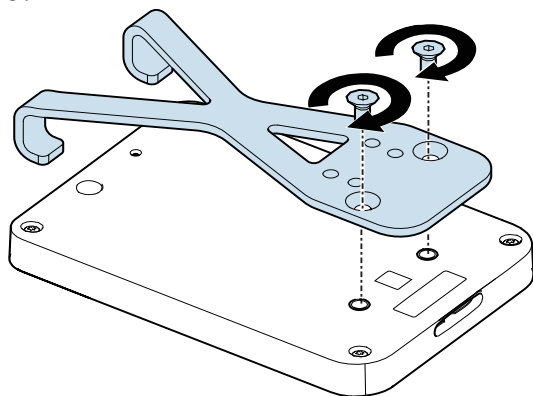


7.



$T = 9.8 \text{ N m} / 7.2 \text{ lb. ft.}$

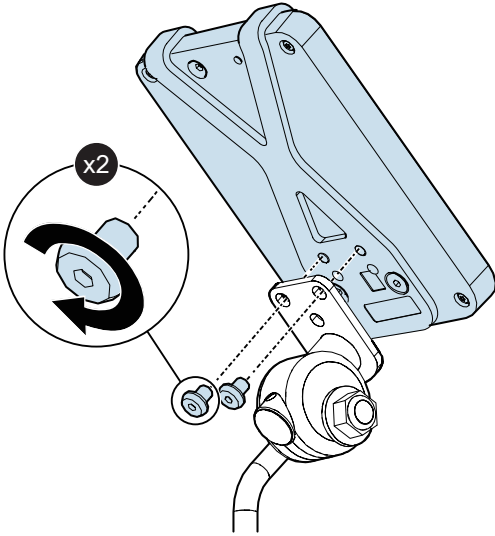
8.



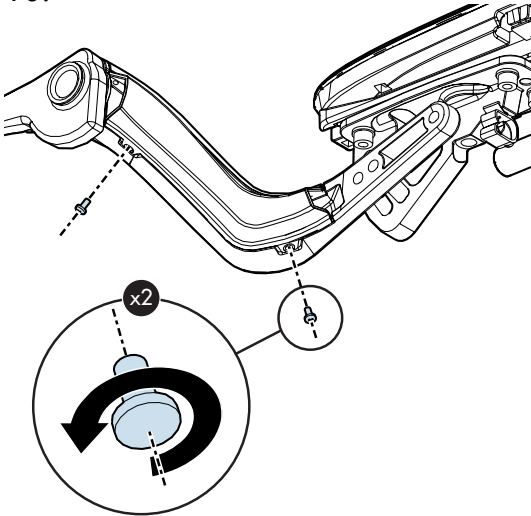
$T = 2.9 \text{ N m} / 2.14 \text{ lb. ft.}$

9.

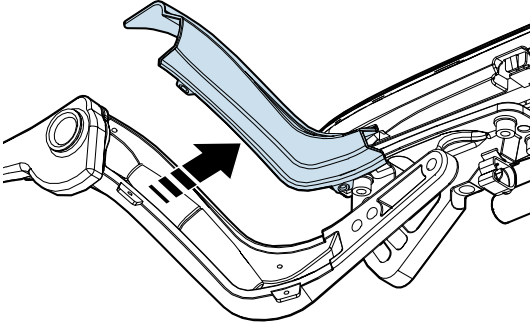
$T = 2.9 \text{ N m} / 2.14 \text{ lb. ft.}$



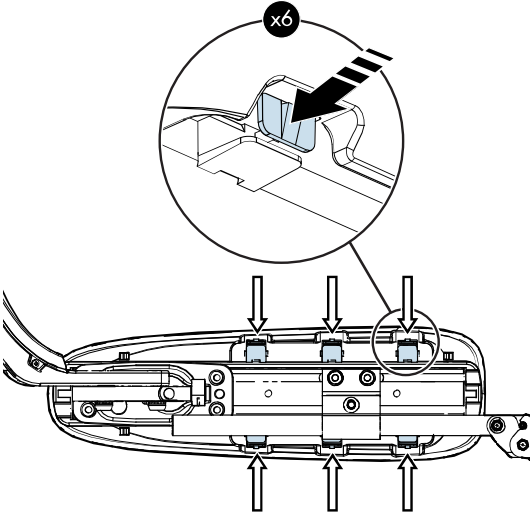
10.



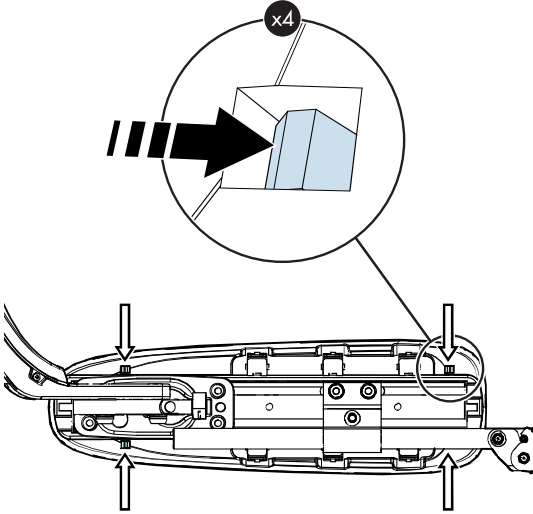
11.



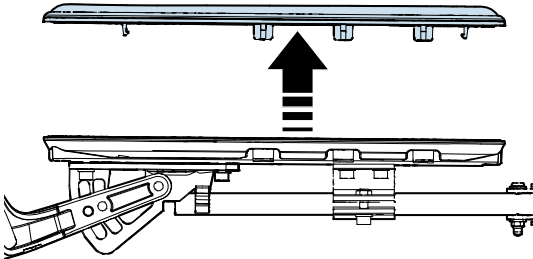
12.



13.

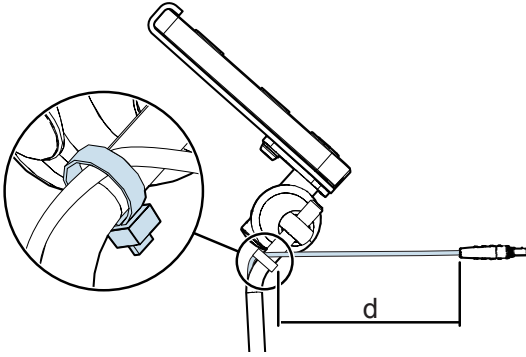


14.

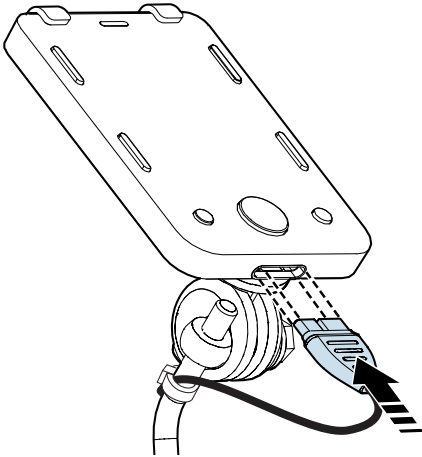


15.

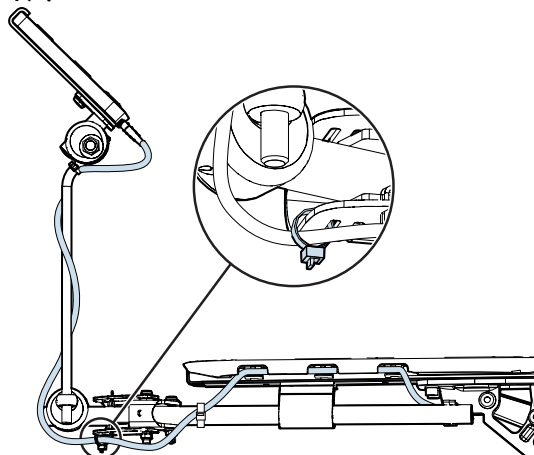
d= 90 mm / 3.5"



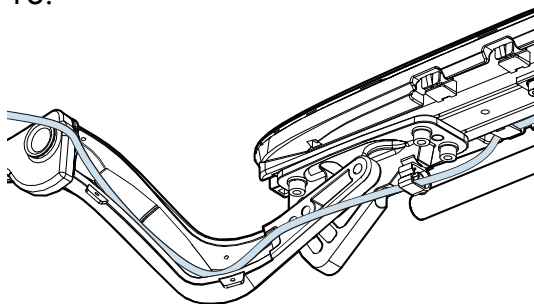
16.



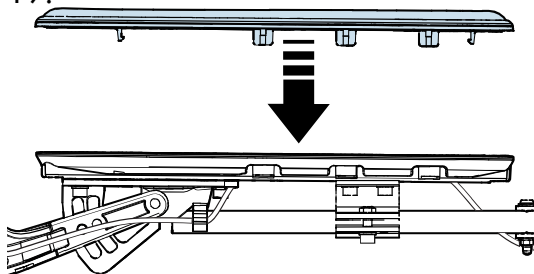
17.



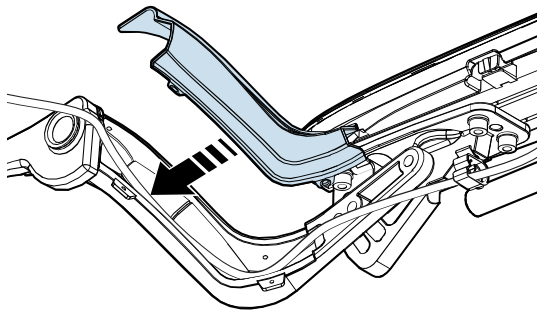
18.



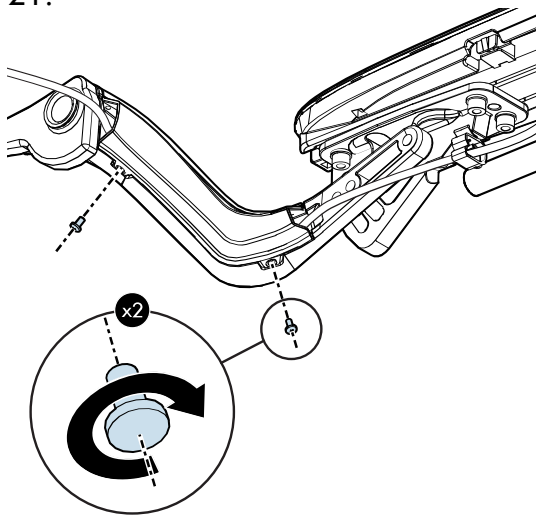
19.



20.

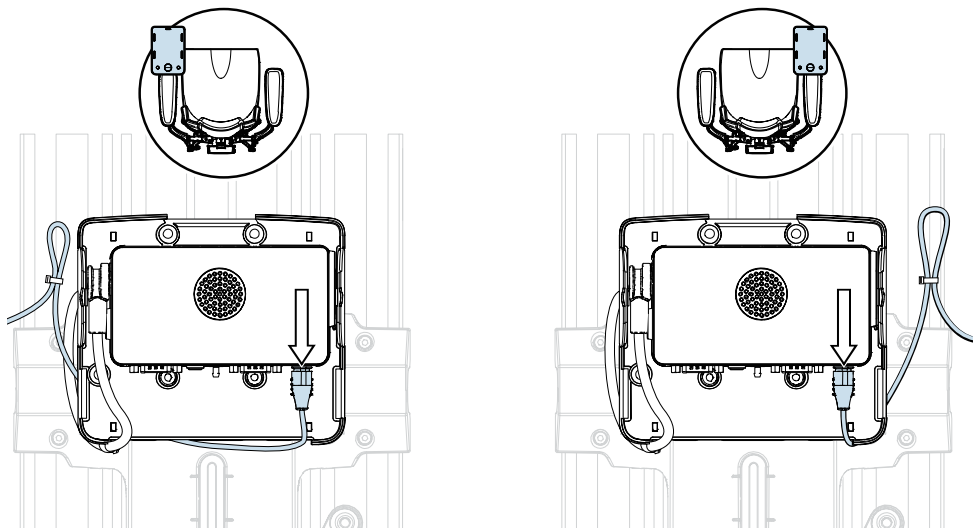


21.

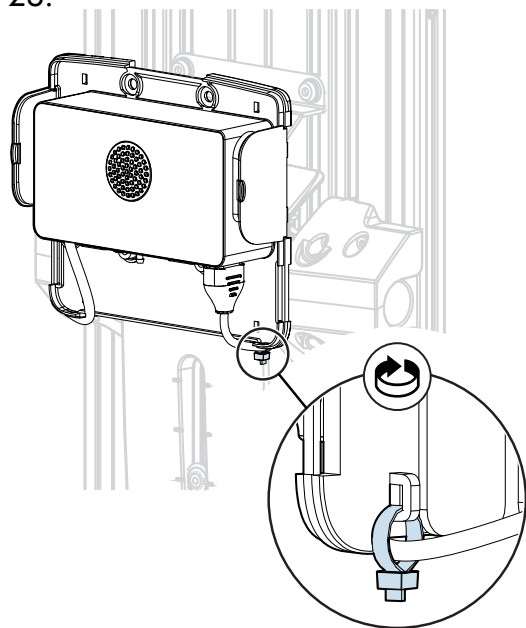


$T = 0.6 \text{ N m} / 0.44 \text{ lb. ft.}$

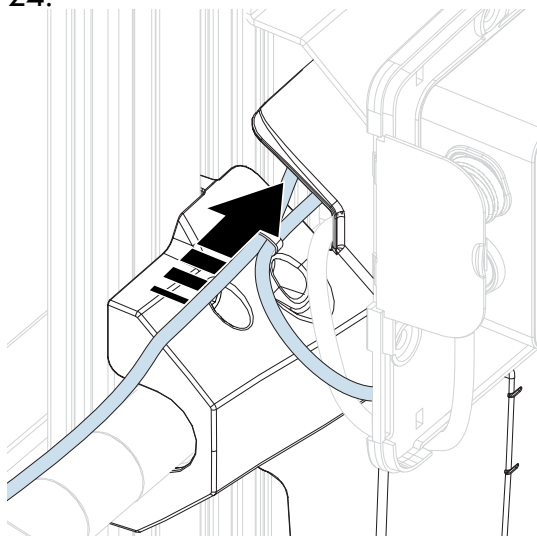
22.



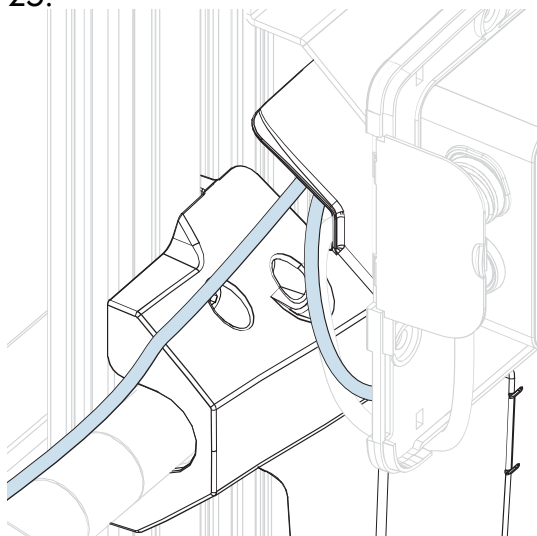
23.



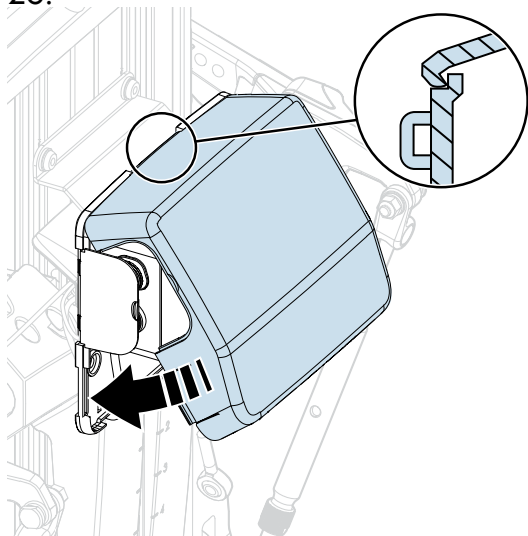
24.



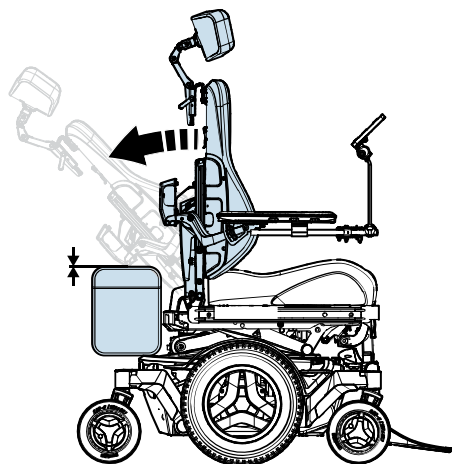
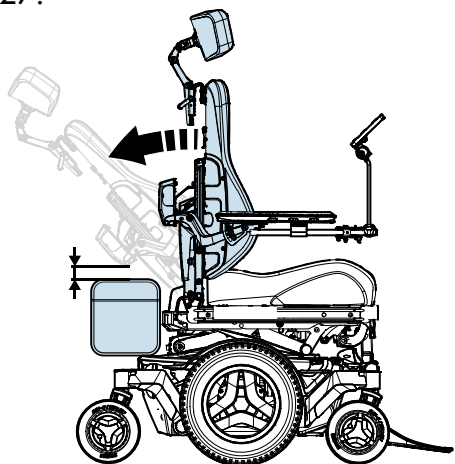
25.



26.



27.



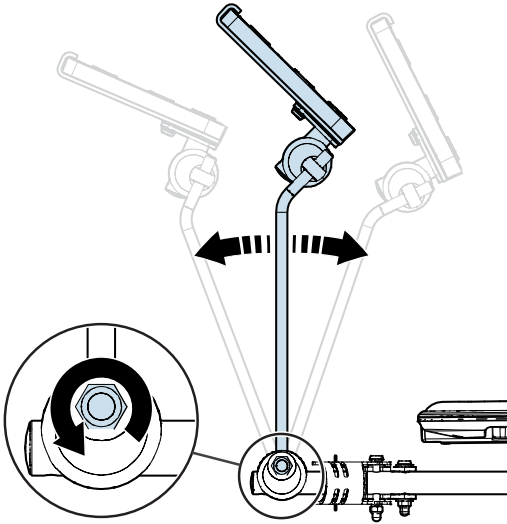
① Crushing

Risk of pinching or crushing hands and other body parts.

Adjusting the display arm

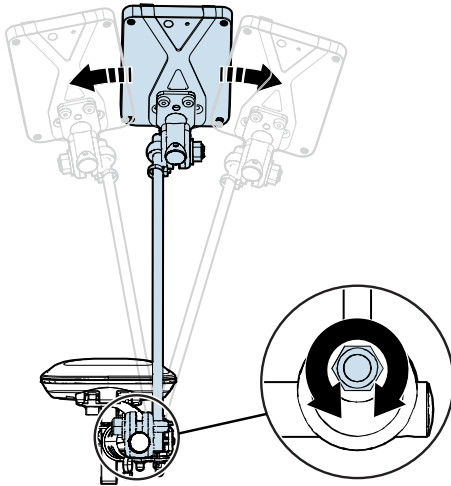
1.

$T = 12.7 \text{ N m} / 9.4 \text{ lb. ft.}$

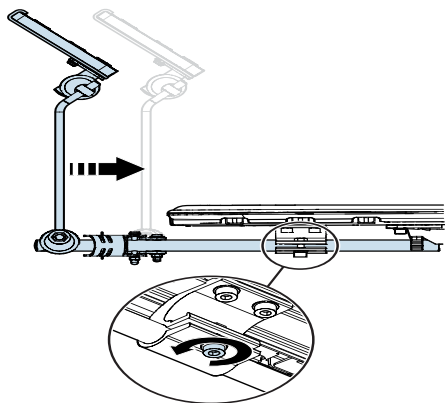


2.

$T = 12.7 \text{ N m} / 9.4 \text{ lb. ft.}$



3.

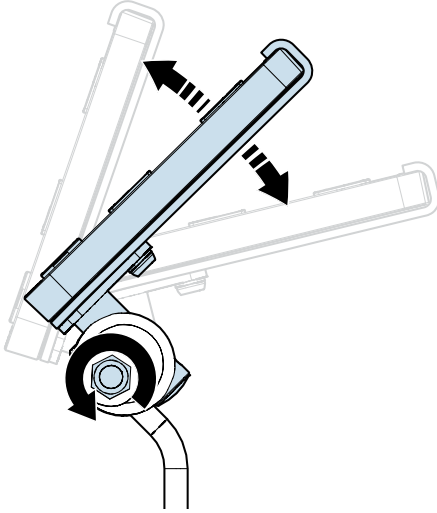


$T = 12.7 \text{ N m} / 9.4 \text{ lb. ft.}$

Adjusting the display

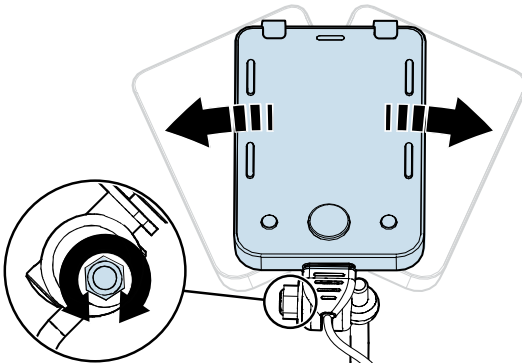
1.

$T = 12.7 \text{ N m} / 9.4 \text{ lb. ft.}$



2.

$T = 12.7 \text{ N m} / 9.4 \text{ lb. ft.}$



User and service information

<http://support.pgdt.com/Home/omni2-manual-pdf>



Safety instructions

Notice



① Notice

- US: This manual only shows the assembly instructions for one side.
- CS: V tomto návodu jsou uvedeny pouze montážní pokyny pro jednu stranu.
- DA: Denne manual viser kun samlevejledninger for en side.
- DE: Dieses Handbuch zeigt nur die Montageanweisungen für eine Seite.
- UK: This manual only shows the assembly instructions for one side.
- FI: Tämä opas sisältää vain yhden puolen asennusohjeet.
- FR: Ce manuel présente uniquement les instructions de montage pour un côté.
- IT: Questo manuale illustra le istruzioni per l'assemblaggio solamente per un lato.
- NL: Deze handleiding bevat alleen de montage-instructies voor een zijde.
- NB: Denne håndboken viser bare monteringsveiledningen for én side.
- PT: Este manual inclui apenas as instruções de montagem de um dos lados.
- SL: V tem priročniku so prikazana navodila za montažo samo za eno stran.
- ES: Este manual solo muestra las instrucciones de montaje de un lado.
- SV: Denna manual visar endast monteringsinstruktionerna för ena sidan.

Crushing



① Crushing

- US: Risk of pinching or crushing hands and other body parts.
- CS: Riziko sevření nebo rozdrcení rukou nebo jiných částí těla.
- DA: Risiko for at få hænderne og andre kropsdele knust eller i klemme.
- DE: Gefahr des Einklemmens oder Quetschens von Händen und anderen Körperteilen.
- UK: Risk of pinching or crushing hands and other body parts.
- FI: Käsien ja muiden kehonosien puristukseen jäämisen tai murskautumisen vaara.
- FR: Risque de pincement ou d'écrasement des mains et d'autres parties du corps.
- IT: Pericolo di schiacciamento per le mani e altre parti del corpo.
- NL: Risico van bekneld raken of verbrijzelen van handen en andere lichaamsdelen.
- NB: Fare for at hender og andre kroppsdeler blir klemt eller knust.
- PT: Risco de entalamento ou esmagamento das mãos ou de outras partes do corpo.

SL: Nevarnost ukleščenja ali zmečkanja rok in drugih delov telesa

ES: Riesgo de pellizcarse o aplastarse las manos y otras partes del cuerpo.

SV: Risk att klämma eller krossa händer och andra kroppsdelar.

Contact us

Permobil AB
Box 120
861 23 Timrå
Sweden

Tel.: +46 60 59 59 00
Fax: +46 60 57 52 50
E-mail: info@permobil.com
Web: www.permobil.com

Permobil Inc.
300 Duke Drive
Lebanon, TN 37090
USA

Tel.: 800.736.0925
Fax: 800.231.3256
E-mail: TechSupport@permobil.com
Web: www.permobilus.com

permobil

Produced and published by Permobil
Edition: 3
Date: 2019-06-11
Order no: 335495 mul

