


Assembly Instruction

Document No. 230643	Revision A.00				
Production state Released					
Preform Date 2007-09-06	Preform By UDM	Approved Date 2008-01-10	Approved By GHT	Page 1	

Mounting of manual extension

Part no: 1821440 Manual extension

List of parts that should be found in this set.

1.	Qty. 1	Extender bar	4.	Qty. 1	Washer ISO 7089 8,4x16x1,6
2.	Qty. 1	Screw ISO 4762 M8x16	5.	Qty. 1	Washer SS 1466 8,4x26x5
3.	Qty. 1	Screw ISO 4762 M8x25	6.	Qty. 1	Nut ISO 7040 M8

Mounting

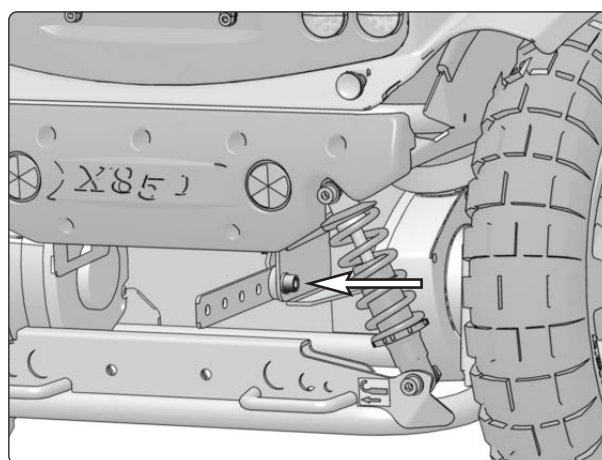
Read through the instructions before starting installation

Adjustment of Manual Extender

The wheelchair is always palletted for shipment adjusted to the shortest overall length. Once unpacked, the wheelbase must be set to the correct length. The wheelbase length is set using the adjusting rod in the rear of the main chassis.

1. Remove the screw and nut from the adjusting rod. See the illustration.
2. Adjust to the desired distance between the seat and the foot plate. Choose between seven different lengths. See the table below.
3. Fit the adjusting rod with the screw and nut in the desired position.

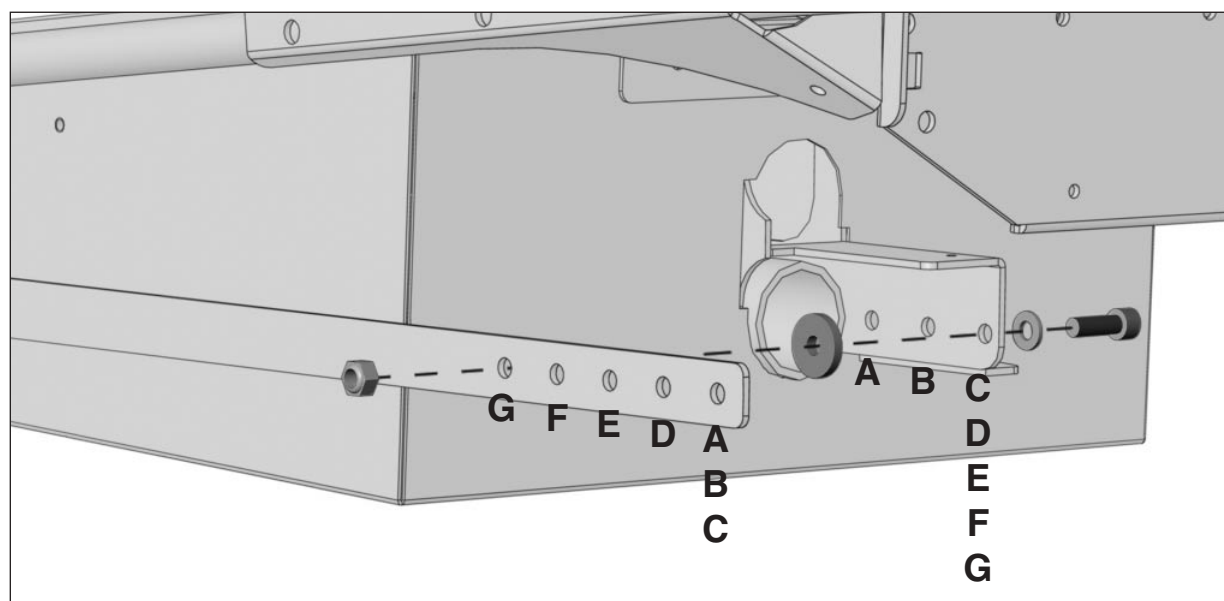
The wheelbase can be adjusted to seven different fixed positions. On delivery, hole "G" in the adjusting rod always matches hole "G" in the chassis, i.e. the shortest length. See the example below. The lengths below are the c-c dimensions between the front and rear wheels.



Manual wheelbase adjustment


Settings:

A to A	=	1015 mm
B to B	=	980 mm
C to C	=	945 mm
D to D	=	910 mm
E to E	=	885 mm
F to F	=	850 mm
G to G	=	815 mm



Adjustment positions for manual wheelbase adjustment.

Assembly Instruction

Document No. 230643	Revision A.00				
Production state Series					
Preform Date 2007-09-06	Preform By UDN	Approved Date 2008-01-10	Approved By GHT	Page 2	

Montering av manuell extender

Best.nr: 1821440 Manuell extender

Förteckning över detaljer som skall finnas i satsen.

1.	1st	Extender stång	4.	1st	Bricka ISO 7089 8,4x16x1,6
2.	1st	Skruv ISO 4762 M8x16	5.	1st	Bricka SS 1466 8,4x26x5
3.	1st	Skruv ISO 4762 M8x25	6.	1st	Mutter ISO 7040 M8

Montering

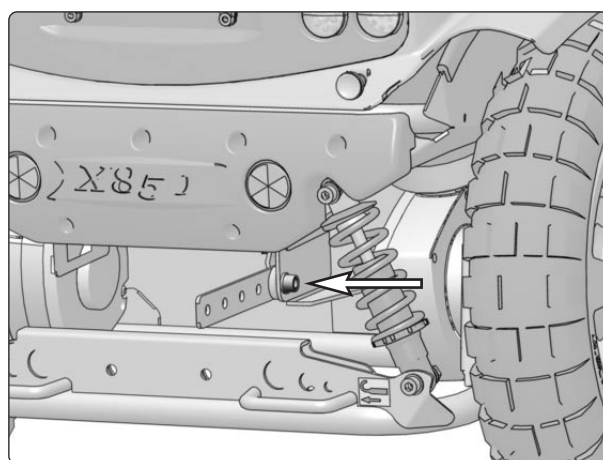
Läs igenom anvisningen *innan* montering påbörjas.

Manuell hjulbasjustering

Rullstolen transporteras vid leverans alltid i minsta möjliga längd. Vid upppackningen måste rätt längd justeras in. Längden justeras med hjälp av justerstången i bakvagnen.

1. Demontera skruv och mutter från justerstången, se bild.
2. Ställ in önskat avstånd mellan sitsen och fotplattan. Välj mellan sju olika längder, se tabellen nedan.
3. Montera justerstången med skruv och mutter i önskat läge.

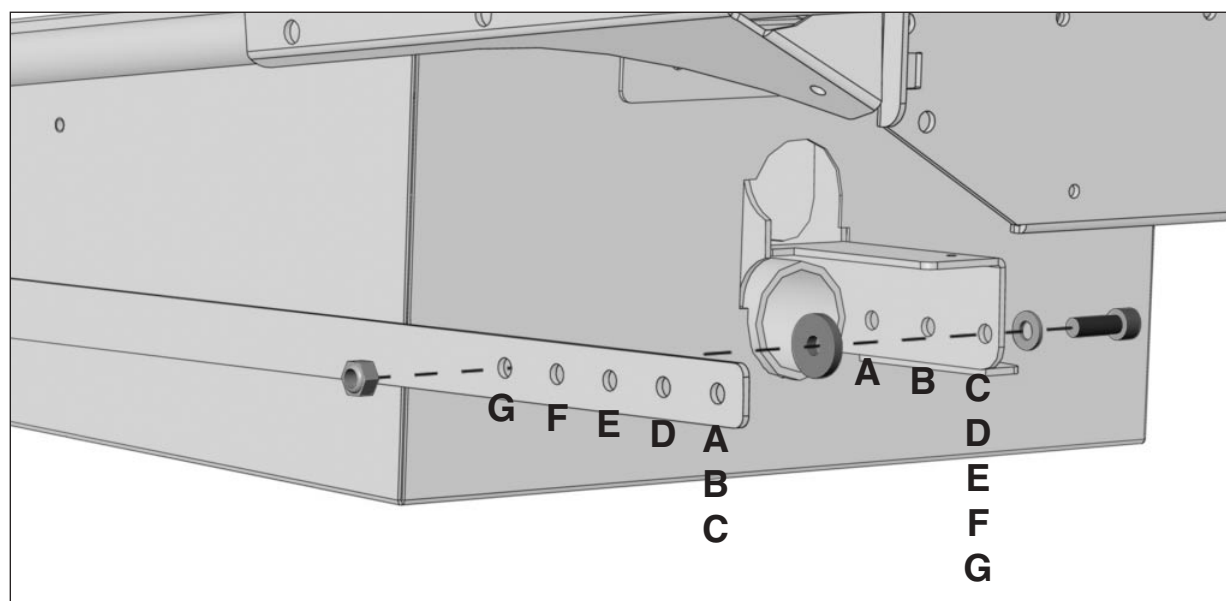
Hjulbasen kan justeras till sju olika fasta lägen. Vid leverans är alltid hål "G" i justerstången matchande mot hål "G" i chassit, dvs kortaste längden, se exemplet nedan. Längderna bredvid anger c-c måttet mellan fram- och bakhjul.



Manuell justering av hjulbas.

Inställningar:

A mot A	= 1015 mm
B mot B	= 980 mm
C mot C	= 945 mm
D mot D	= 910 mm
E mot E	= 885 mm
F mot F	= 850 mm
G mot G	= 815 mm



Justerings lägen för manuell hjulbas justering.