

Assembly Instruction

Document No. 268474	Revision A				permobil
Production state FOR SERIES					
Preform Date 2015-04-09	Preform By JOF	Approved Date 4/27/2015	Approved By GHT	Page EN 1	

Installation instructions, luggage carrier F3 / F5

Installation, luggage carrier F3 / F5

Pages 1-4

This kit contains

1. 1 pc Luggage carrier with bracket
2. 1 pc Adapter cable

Tools (not included):

- Allen key

**Installing the luggage carrier****F3/F5**

1. Turn the lock handle to the unlock position (padlock open). Pull the bracket down so that it is free from the luggage carrier.

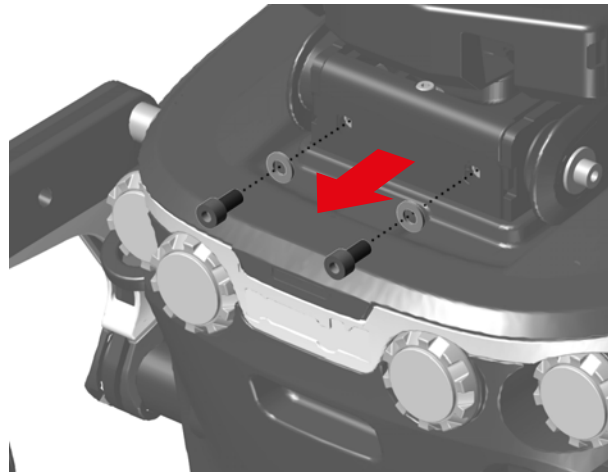


Assembly Instruction

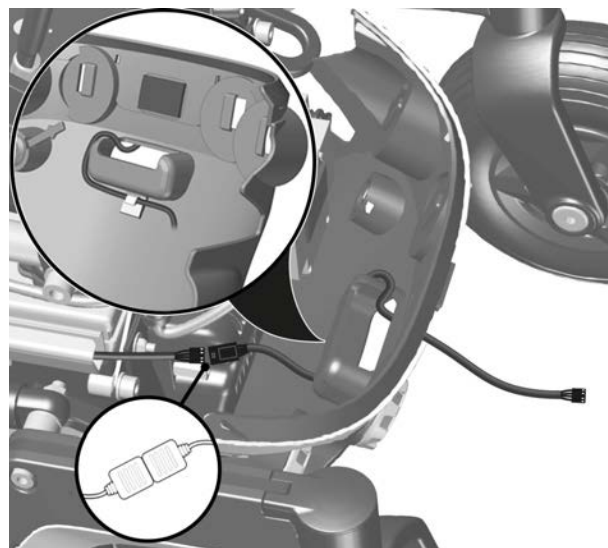
Document No. 268474	Revision A				permobil
Production state FOR SERIES					
Preform Date 2015-04-09	Preform By JOF	Approved Date 4/27/2015	Approved By GHT	Page EN 2	

F3/F5

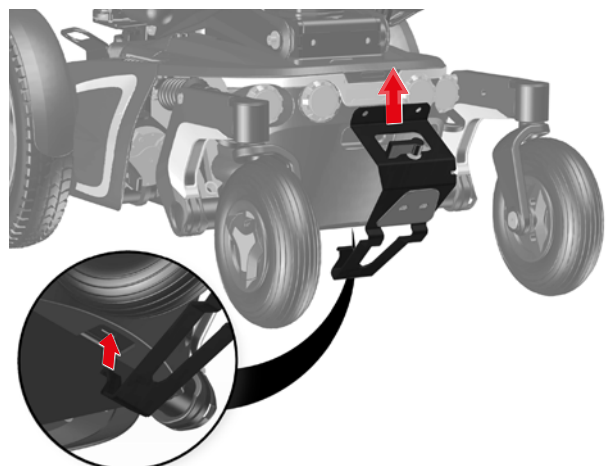
2. Remove the two bolts and washers on the back of the seat lift.



3. Remove the rear cover and connect the adapter cable to the lighting cable in the chassis. Press the cable into the cable clip on the rear cover and pass the adapter cable through the cut-out in the rear cover.



4. Locate the bracket in the cut-out under the rear cover on the chassis.

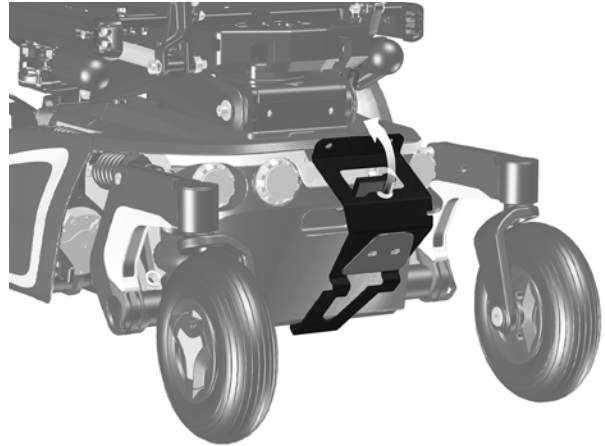


Assembly Instruction

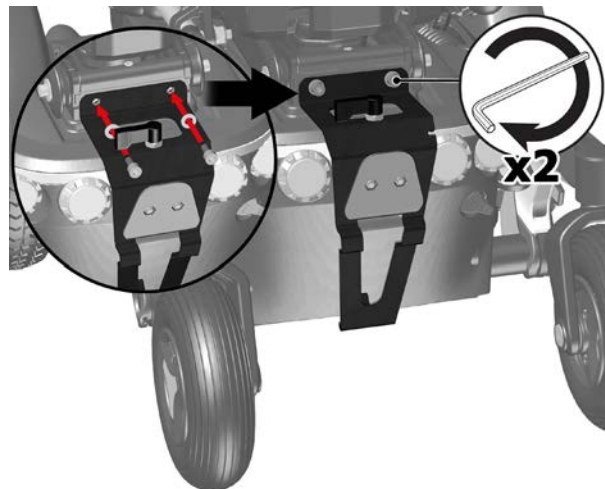
Document No. 268474	Revision A				permobil
Production state FOR SERIES					
Preform Date 2015-04-09	Preform By JOF	Approved Date 4/27/2015	Approved By GHT	Page EN 3	

F3/F5

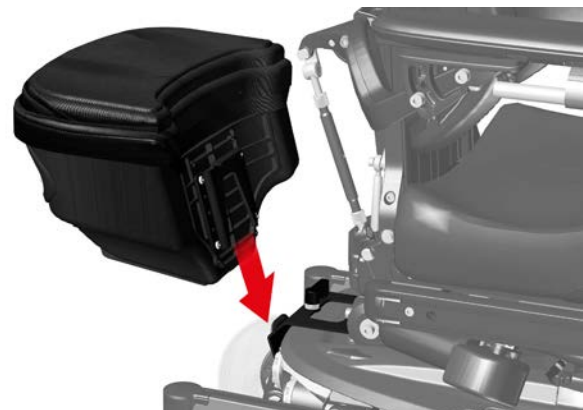
5. Flip the bracket up so that it fits over the rear cover.



6. Position the hole against the bracket on the seat lift and install the bracket using nuts and bolts (use the same bolt and washer as removed in item 2).



7. Install the luggage carrier on the luggage carrier bracket by sliding the luggage carrier attachment into the bracket.



Assembly Instruction

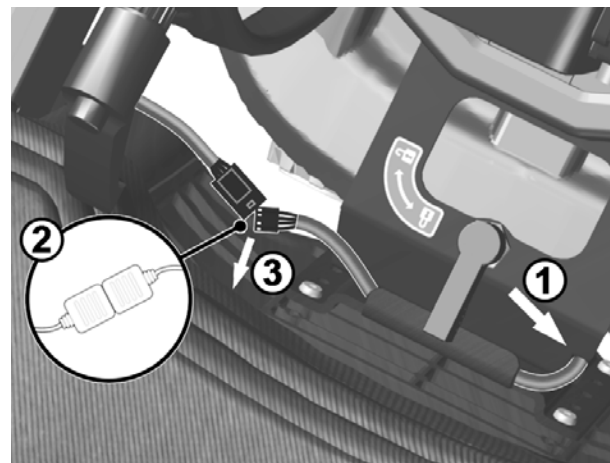
Document No. 268474	Revision A				permobil
Production state FOR SERIES					
Preform Date 2015-04-09	Preform By JOF	Approved Date 4/27/2015	Approved By GHT	Page EN 4	

F3/F5

8. Lock the luggage carrier in place by turning the handle 90 degrees anti-clockwise. In order for the luggage carrier to remain locked, the handle must be over the pressed plate on the rear of the luggage carrier.



9. Attach the cable in the bevel in the bracket. Then run the cable under the wing on the luggage carrier bracket. Connect the adapter cable to the the luggage carrier lighting cable (2) and then conceal the cable under the cover's fabric.



Assembly Instruction

Document No. 268474	Revision A				permobil
Production state FOR SERIES					
Preform Date 2015-04-09	Preform By JOF	Approved Date 4/27/2015	Approved By GHT	Page SE 1	

Installationsanvisning, bagagekorg F3 / F5

Montering bagagekorg F3 / F5

Sida 1-4

Innehållsförteckning

1. 1 st Bagagekorg inkl. fäste
2. 1 st Adapterkabel

Verktyg (medföljer ej):

- Inse~~n~~ yckel

**Montering av bagagekorg****F3/F5**

1. Vrid låsvredet till olåst läge (hänglås öppet). Dra fästet nedåt så det släpper från bagagekorgen.

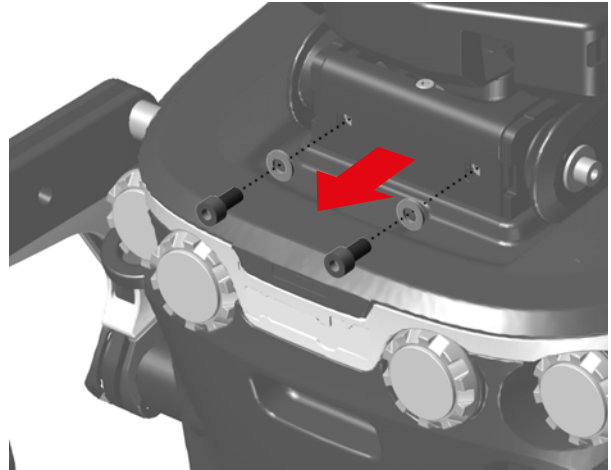


Assembly Instruction

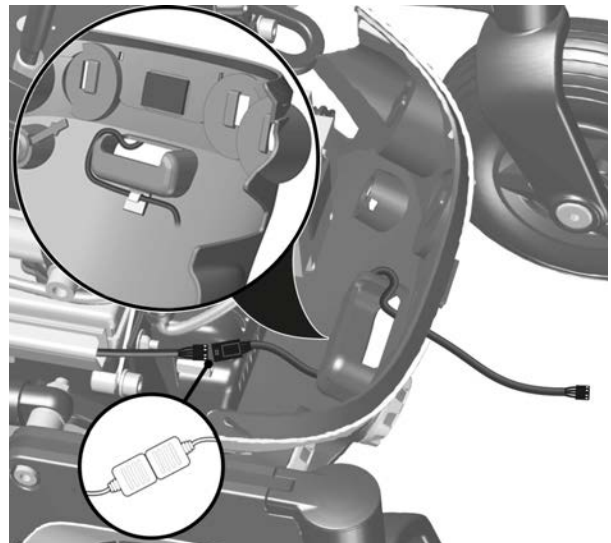
Document No. 268474	Revision A				permobil
Production state FOR SERIES					
Preform Date 2015-04-09	Preform By JOF	Approved Date 4/27/2015	Approved By GHT	Page SE 2	

F3/F5

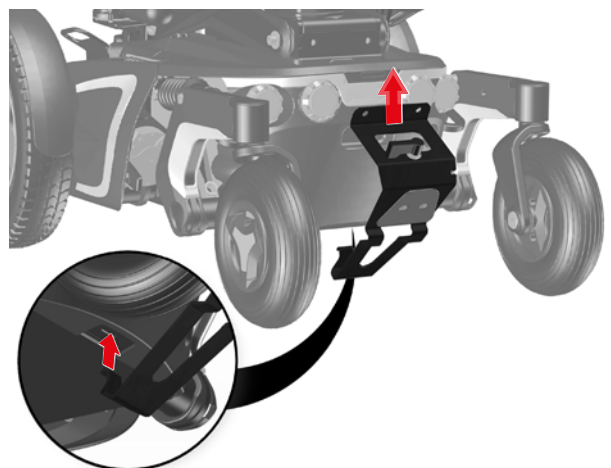
2. Demontera de två skruvar och brickor som sitter bak på sitslyften.



3. Lossa den bakre kåpan och koppla adapterkabeln till belysningskabeln i chassit. Tryck fast adapterkabeln i kabelfästet på den bakre kåpan och trä sedan kabeln genom urtaget.



4. Placera fästet i urtaget under den bakre kåpan på chassit.

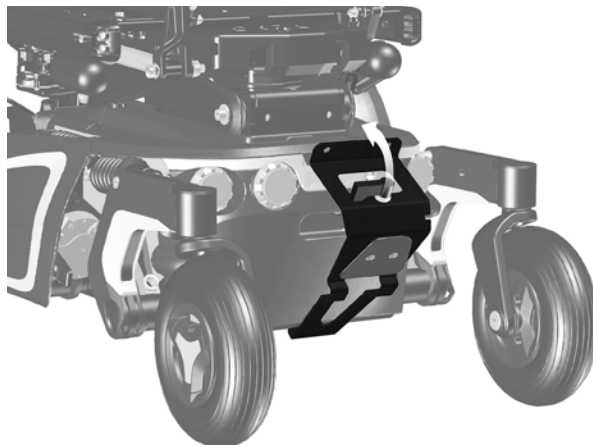


Assembly Instruction

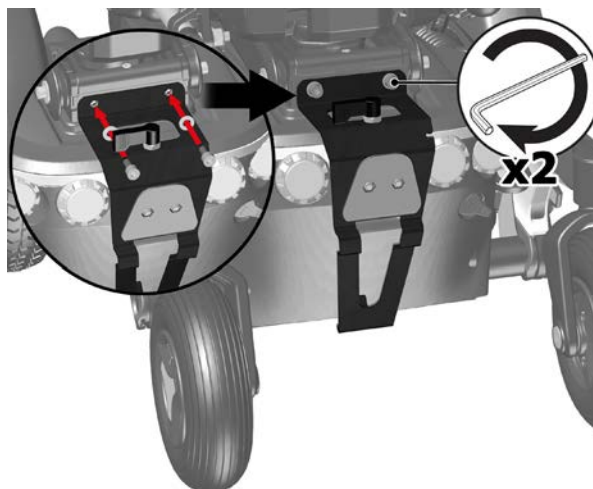
Document No. 268474	Revision A				permobil
Production state FOR SERIES					
Preform Date 2015-04-09	Preform By JOF	Approved Date 4/27/2015	Approved By GHT	Page SE 3	

F3/F5

5. Vinkla upp fästet så det går in över bakre kåpan



6. Placera hålen mot infästningen på sitslyften och montera fästet med skruv och mutter (använd samma skruv och bricka som demonterades i punkt 2).



7. Montera bagagekorgen på bagagekorgsfästet genom att föra ner bagagekorgens infästning på fästplåten.



Assembly Instruction

Document No. 268474	Revision A				permobil
Production state FOR SERIES					
Preform Date 2015-04-09	Preform By JOF	Approved Date 4/27/2015	Approved By GHT	Page SE 4	

F3/F5

8. Lås fast bagagekorgen med vredet genom att vrida vredet 90 grader motsols. För att bagagekorgen ska vara låst måste vredet ligga över den bockade plåten bak på bagagekorgen.



9. Fäst adapterkabeln i urfasningen i fästplåten (1). Dra sedan kabeln under vingen på bagagekorgens fästplåt. Koppla ihop adapterkabeln med bagagekorgens belysningskabel (2) och stoppa sedan in kablaget under locket (3).

