


**Assembly Instruction**

Document No. <b>247397</b>	Revision <b>B</b>				
Production state <b>FOR SERIES</b>					
Preform Date <b>2011-04-13</b>	Preform By <b>TSN</b>	Approved Date <b>8/29/2013</b>	Approved By <b>GHT</b>	Page <b>1</b>	

# Mounting of Seat Tilt Mechanism

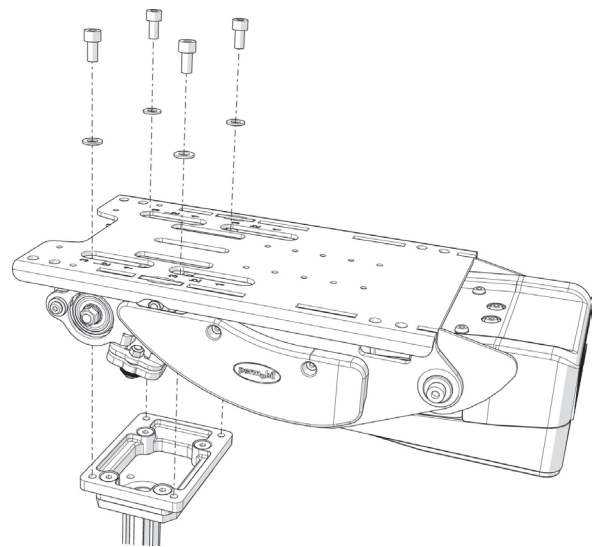
**List of parts in the set.**

Qty. 1	Seat Tilt Mechanism	Qty. 4	Washer ISO 7089 8 200 HV Fe/Zn (8,4x16x1,6)
Qty. 4	Screw ISO 4762 M8 x16 8.8 Fe/Zn		

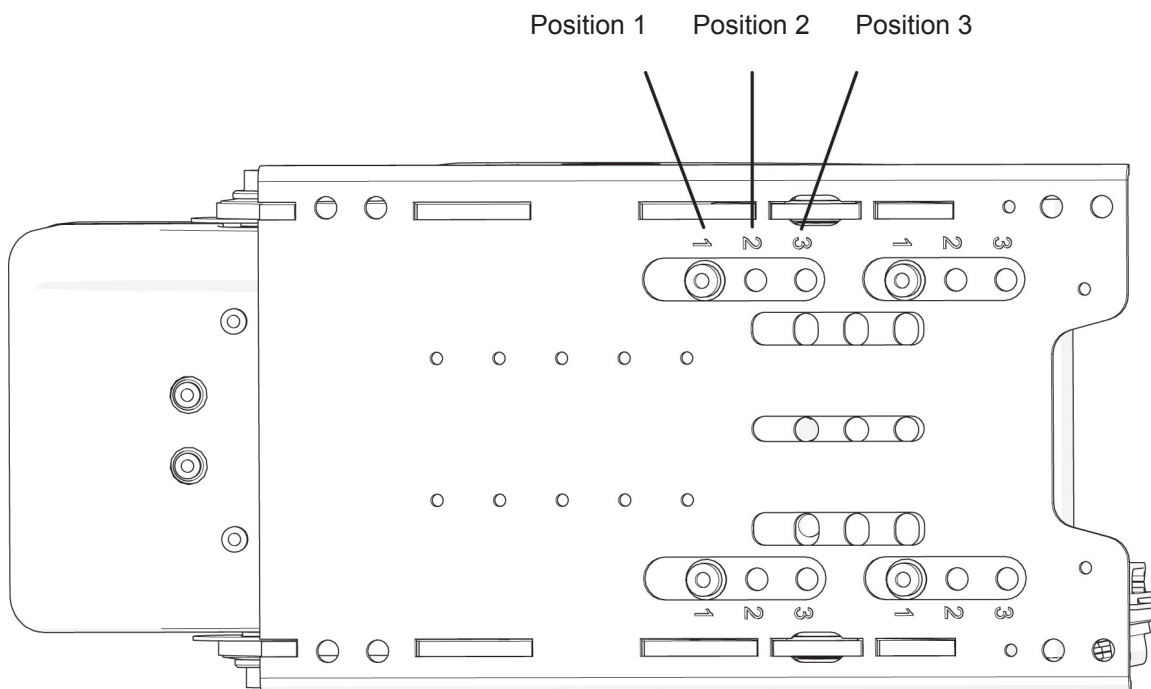
## Assembly

Read the instructions carefully *before* starting installation.

1. The Seat Tilt Mechanism can be fitted in three different positions, depending on which chassis it is being mounted on and the seat depth of the seat. See table on page 2.
2. Position the Seat Tilt Mechanism on the Seat Lift/Seat Post. See fig.
3. Fit the Seat Tilt Mechanism using the four attached screws (M8x16) and washers. See fig. Use a torque wrench to tighten the screws. **Tightening torque 17.7 ft-lbs (24Nm).**




*Fitting the Seat Tilt Mechanism*



*The Seat Tilt Mechanism can be mounted in three different positions, depending on which chassis it is being mounted on and the seat depth of the seat.*

**Assembly Instruction**


Document No. <b>247397</b>	Revision <b>B</b>				
Production state <b>FOR SERIES</b>					
Preform Date <b>2011-04-13</b>	Preform By <b>TSN</b>	Approved Date <b>8/29/2013</b>	Approved By <b>GHT</b>	Page <b>2</b>	

**Mounting positions with Corpus 3G**

Seat depth	Seat tilt mounting positions							
	C300	C300S	C350	M300	M400	C400	C500	C500S
370 mm./15"	1	2	1	1	1	1	1	3
395 mm./16"	1	2	1	1	1	1	1	3
420 mm./17"	1	2	1	1	1	1	1	3
445 mm./18"	1	2	1	1	1	1	1	3
470 mm./19"	1	2	1	1	1	1	1	3
495 mm./20"	1	2	1	1	1	1	1	3
520 mm./21"	2	3	1	1	1	2	2	3
545 mm./22"	3	3	2	2	2	3	3	3
570 mm./23"	3	3	3	3	3	3	3	3

*The mounting position for the seat angle mechanism depends on the chassis model and the seat depth setting. The table shows mounting positions for standard model wheelchairs; accessories such as height-adjustable footplates or a respirator shelf may affect the mounting position. Contact Permobil in case of doubt.*

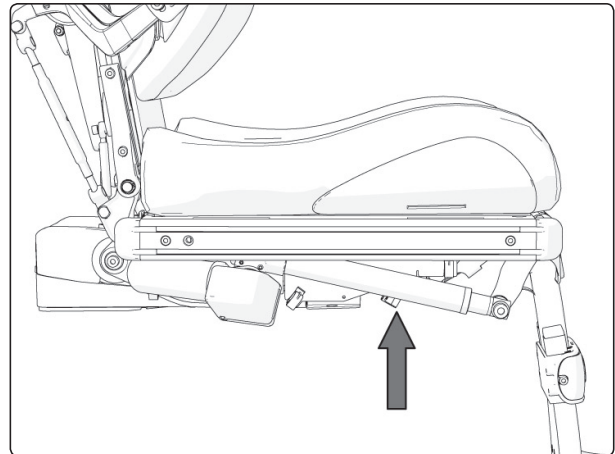
## Assembly Instruction

Document No. <b>247397</b>	Revision <b>B</b>				
Production state <b>FOR SERIES</b>					
Preform Date <b>2011-04-13</b>	Preform By <b>TSN</b>	Approved Date <b>8/29/2013</b>	Approved By <b>GHT</b>	Page <b>3</b>	

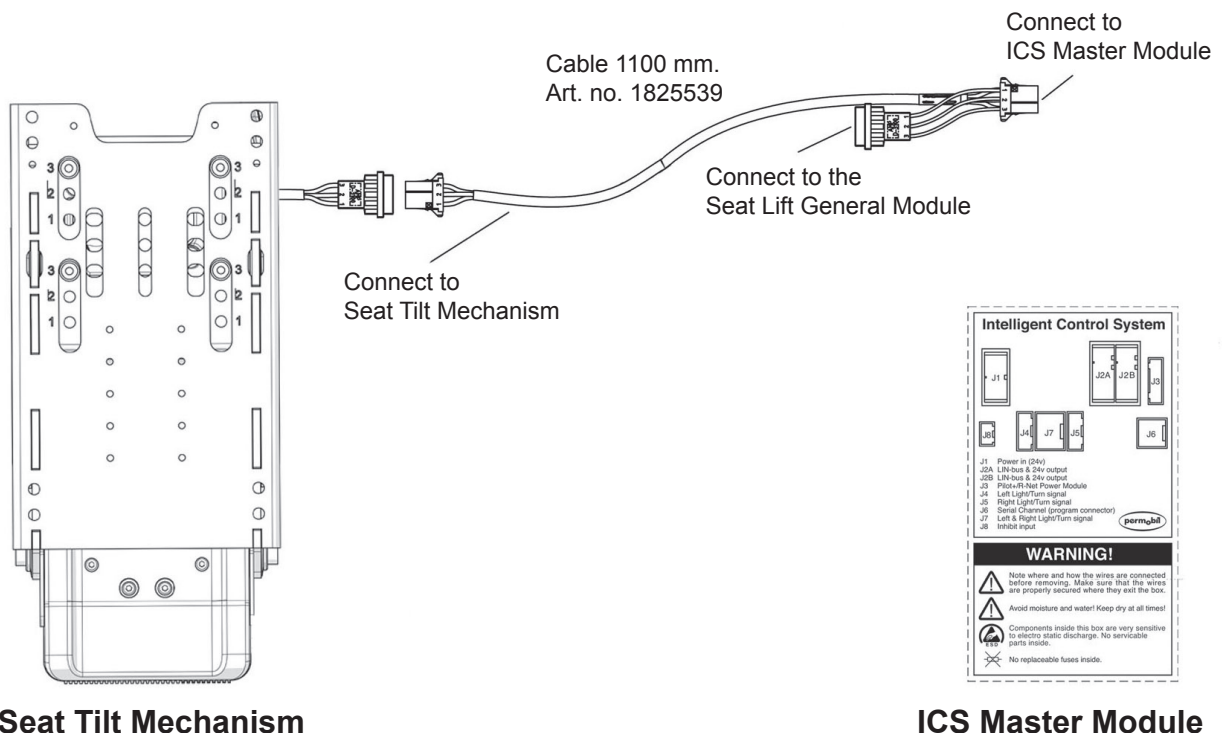
### Connection on a wheelchair with R-net Control System

1. Connect the cabling for the seat angle mechanism to the wheelchair's ICS Master Module. If the cabling for the ICS Master Module is already there, connect it to the contact that is at the front right corner of the seat angle mechanism, next to the other cabling. See the fig.


When mounting new cabling (ordered separately) for the ICS Master Module, mount it together with the rest of the cabling running down to the wheelchair chassis and there connect it to the ICS Master Module. For further information on the ICS Master Module, see the chassis service manual. Connect the other end of the cable to the contact that is at the front right corner of the seat angle mechanism, next to the other cabling. See fig.



*The connector is on the cabling at the front right corner of the seat angle mechanism, next to the rest of the cabling*



**Assembly Instruction**

Document No. 247397	Revision B				
Production state FOR SERIES					
Preform Date 2011-04-13	Preform By TSN	Approved Date 8/29/2013	Approved By GHT	Page 4	

# Montering av Sitslutningsmekanism

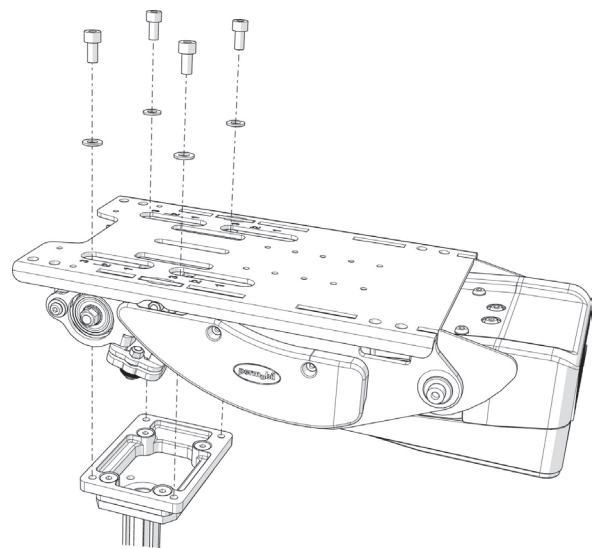
**Förteckning över detaljer som skall finnas i satsen.**

1st	Sitslutningsmekanism	4st	Bricka ISO 7089 8 200 HV Fe/Zn (8,4x16x1,6)
4st	Skruv ISO 4762 M8 x16 8.8 Fe/Zn		

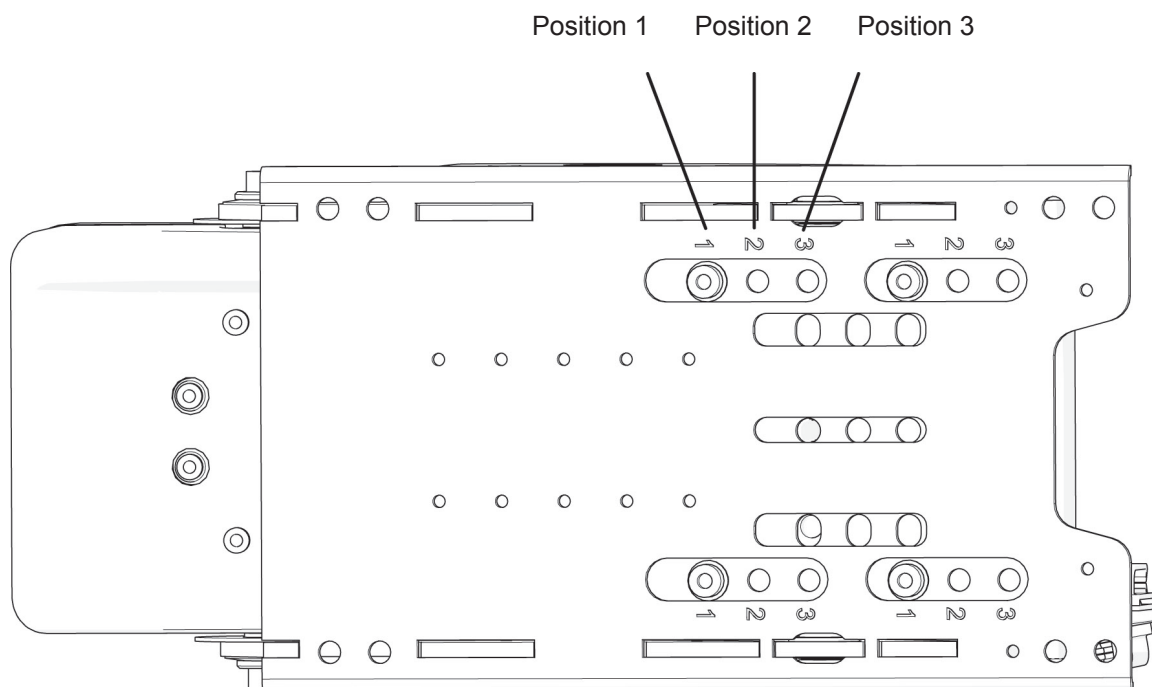
## Montering

Läs igenom anvisningen *innan* montering påbörjas.

1. Montering kan ske i tre olika positioner berorende på vilket chassi och sits som monteringen sker på samt vilket sitsdjup sitsen har, se tabell på sidan 2.
2. Placera sitslutningsmekanismen på sitslyften/det fasta sitsröret.
3. Montera sitslutningsmekanismen med de fyra medföljande skruvarna (M8x16) samt brickor. Se bild till höger. Dra åt skruvarna med hjälp av momentnyckel. **Åtdragningsmoment 24Nm.**




Montering av sitslutningsmekanism.



Montering kan ske i tre olika positioner berorende på vilket chassi och sits som monteringen sker på samt vilket sitsdjup sitsen har.

**Assembly Instruction**


Document No. 247397	Revision B				
Production state FOR SERIES					
Preform Date 2011-04-13	Preform By TSN	Approved Date 8/29/2013	Approved By GHT	Page 5	

**Monteringspositioner med Corpus 3G**

Sitsdjup	Sitslutningens monteringsläge							
	C300	C300S	C350	M300	M400	C400	C500	C500S
370 mm./15"	1	2	1	1	1	1	1	3
395 mm./16"	1	2	1	1	1	1	1	3
420 mm./17"	1	2	1	1	1	1	1	3
445 mm./18"	1	2	1	1	1	1	1	3
470 mm./19"	1	2	1	1	1	1	1	3
495 mm./20"	1	2	1	1	1	1	1	3
520 mm./21"	2	3	1	1	1	2	2	3
545 mm./22"	3	3	2	2	2	3	3	3
570 mm./23"	3	3	3	3	3	3	3	3

Sitslutningsmekanismens monteringsläge är beroende på modell av chassi och inställt sitsdjup. Tabellen visar monteringslägen för rullstol i standardutförande, tillbehör som ex. elektriskt höjbara fotplattor och respiratorhylla kan påverka monteringsläget, kontakta Permobil vid osäkerhet.

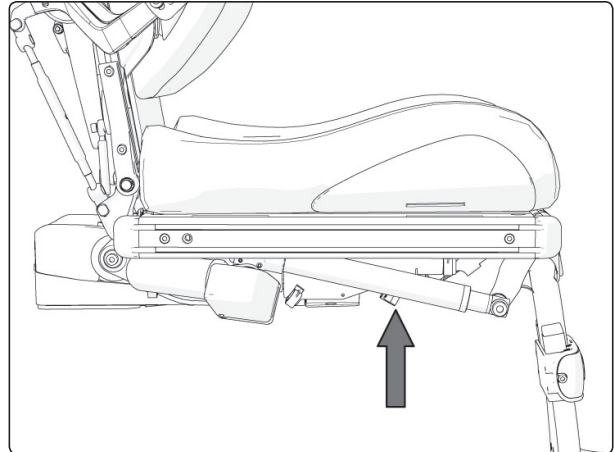
**Assembly Instruction**

Document No. <b>247397</b>	Revision <b>B</b>				
Production state <b>FOR SERIES</b>					
Preform Date <b>2011-04-13</b>	Preform By <b>TSN</b>	Approved Date <b>8/29/2013</b>	Approved By <b>GHT</b>	Page <b>6</b>	

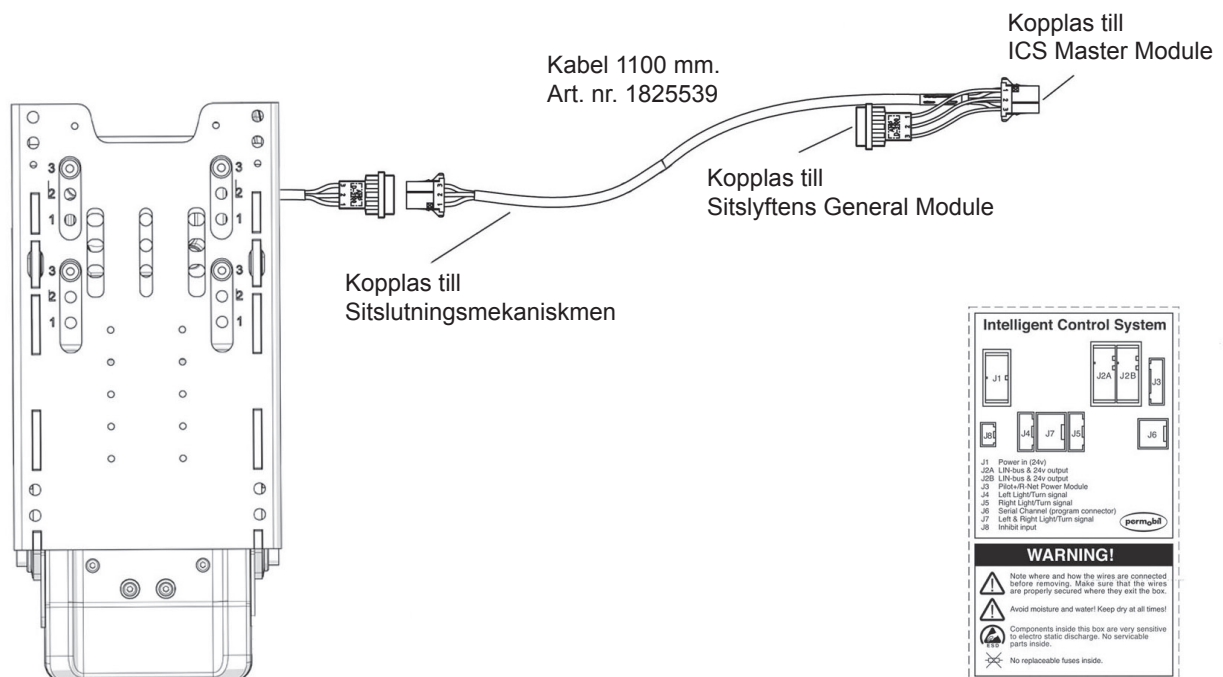
**Inkoppling på rullstol med R-net styrsystem**

1. Anslut sitslutningsmekanismens kablage till rullstolens ICS Master Module. Om kablage till ICS Master Module redan finns på chassit, anslut detta till kontakten som sitter vid sitslutningsmekanismens främre högra hörn intill övrigt kablage, se bild.

Vid montering av nytt kablage (beställs separat) till ICS Master Module monteras detta tillsammans med övrigt kablage på vägen ner till rullstolens chassi och ansluts där till ICS Master Module. För utförlig information om ICS Master Module, se chassits servicemanual. Kablagets andra ände ansluts till kontakten som sitter vid sitslutningsmekanismens främre högra hörn intill övrigt kablage, se bild.



*Anslutningskontakten sitter på kablaget vid sitslutningsmekanismens främre högra hörn intill övrigt kablage*

**Sitslutningsmekanism****ICS Master Module**