

# Assembly Instruction

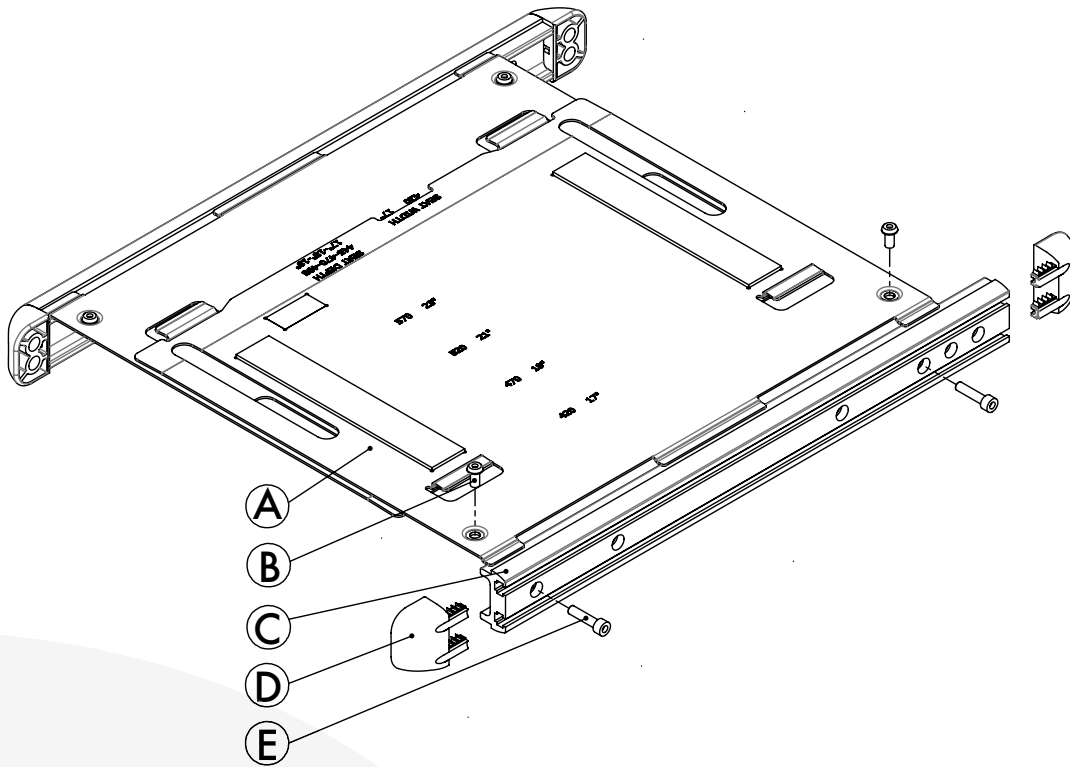
Document No. 270690	Revision B				<b>permobil</b>
Production state <b>FOR SERIES</b>					
Preform Date 2015-09-08	Preform By ROHO	Approved Date 2017-09-29	Approved By basel.nopri	Page US1	

## Table of contents

SEAT PLATE

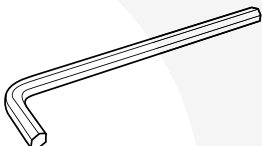
Contents..... EN1  
 Tools ..... EN1  
 Installation..... EN2

## Contents



- |   |              |       |
|---|--------------|-------|
| A | Seat plates  | 2 pcs |
| B | Bolt (small) | 4 pcs |
| C | Unitrac rail | 2 pcs |
| D | Plastic cap  | 4 pcs |
| E | Bolt (large) | 4 pcs |

## Tools



Allen key, 5 mm.

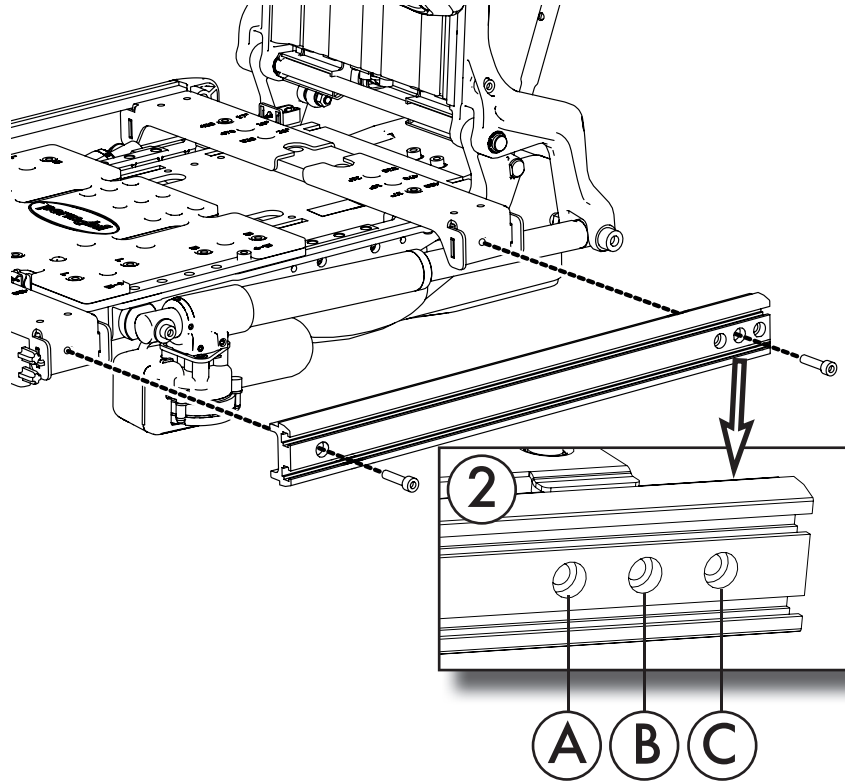
**Assembly Instruction**

Document No. <b>270690</b>	Revision <b>B</b>				<b>permobil</b>
Production state <b>FOR SERIES</b>					
Preform Date <b>2015-09-08</b>	Preform By <b>ROHO</b>	Approved Date <b>2017-09-29</b>	Approved By <b>basel.nopri</b>	Page <b>US2</b>	

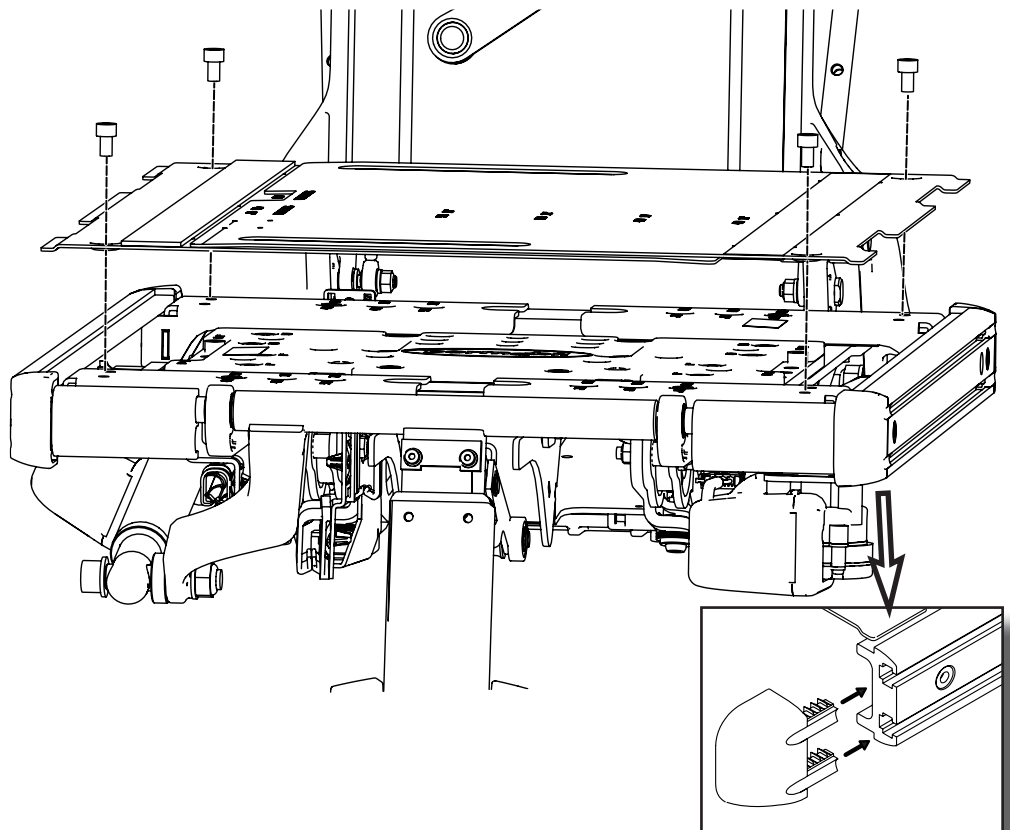
**1** Install the rails using the long bolts. See picture 2 for seat settings.

**2** Use different bolt holes at the back of the rail depending on the depth of the seat. Follow the table below for the desired seat depth.

A	B	C
370	395	420
14"	15"	16"
445	470	495
17"	18"	19"
520	545	570
20"	21"	22"



**3** Install the seat plate using the short bolts. Press the plastic caps into the ends of the rails.



**Assembly Instruction**

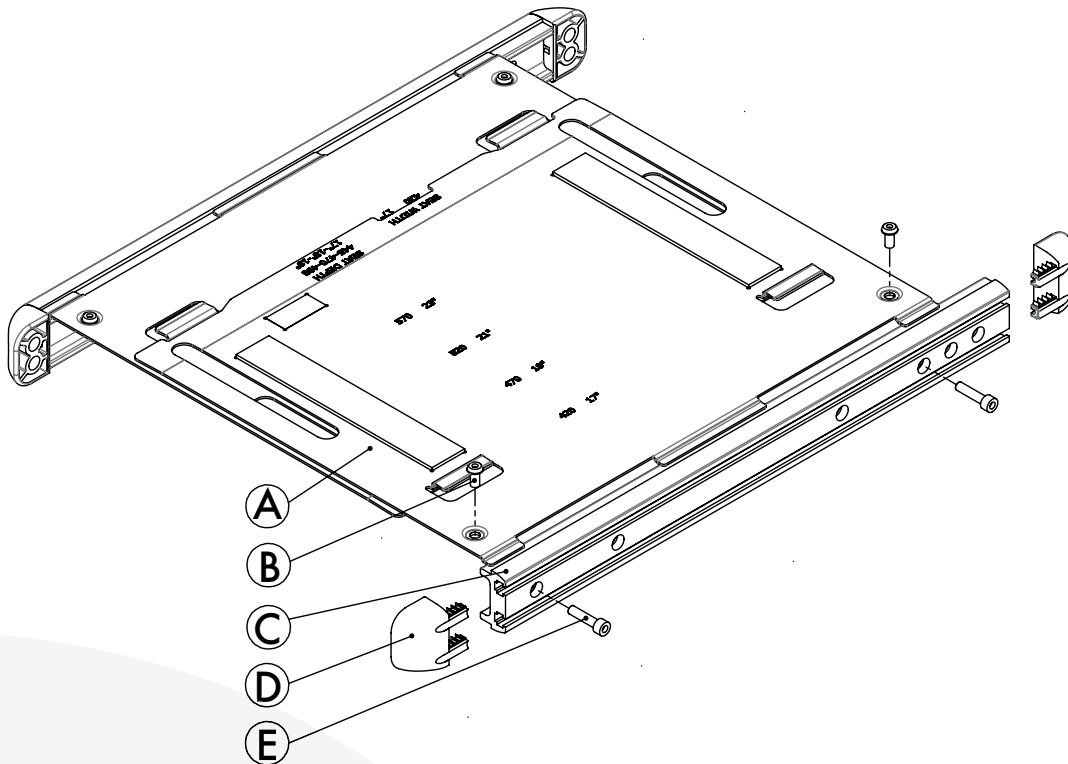
Document No. 270690	Revision B				<b>permobil</b>
Production state <b>FOR SERIES</b>					
Preform Date 2015-09-08	Preform By ROHO	Approved Date 2017-09-29	Approved By basel.nopri	Page SE1	

## Innehållsförteckning

SITSPLATTA

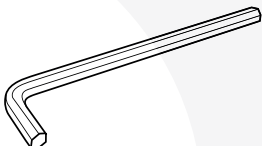
Innehåll .....	SE1
Verktyg .....	SE1
Montering .....	SE2

## Innehåll



A	Sitsplattor	2 st
B	Skruv (liten)	4 st
C	Unitrack-skena	2 st
D	Plastkåpa	4 st
E	Skruv (stor)	4 st

## Verktyg

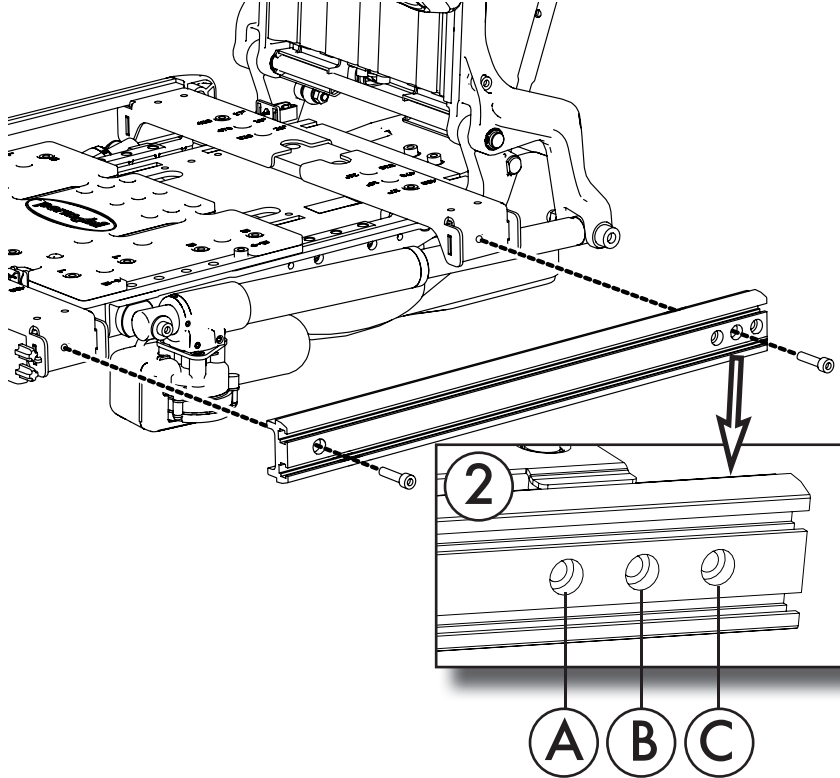


Insexnyckel 5 mm.

**Assembly Instruction**

Document No. 270690	Revision B				<b>permobil</b>
Production state <b>FOR SERIES</b>					
Preform Date 2015-09-08	Preform By ROHO	Approved Date 2017-09-29	Approved By basel.nopri	Page SE2	

**1** Montera dit skenorna med de längre skruvarna. Se punkt 2 för sitsinställningar.



**2** Beroende på sitsdjupet använder man olika skruvhål på den bakre delen av skenan. Följ tabellen nedan för önskat sitsdjup.

A	B	C
370	395	420
14"	15"	16"
445	470	495
17"	18"	19"
520	545	570
20"	21"	22"

**3** Montera dit sitsplattan med de kortare skruvarna. Tryck dit plastkåporna in i skenans ändrar.

