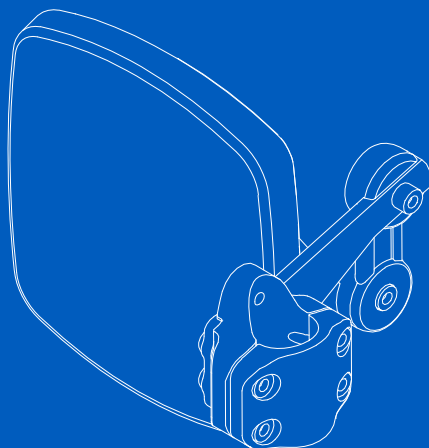
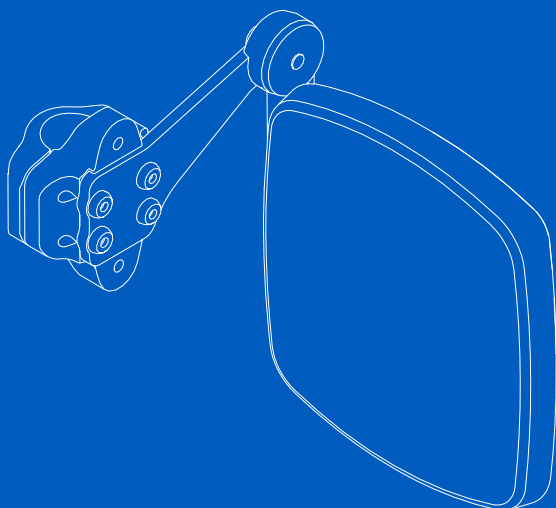


Assembly instruction

Calf rest



permobil

Introduction

This is an assembly instruction of an accessory. An assembly instruction is not a stand-alone document, but rather a complement to the wheelchair's user manual. It can sometimes refer to the user manual or the service manual.

This assembly instruction contains important information, installation instructions, and adjustment instructions. It is intended for service technicians only. If applicable, you will find definitions of the warning signs used in this assembly instruction in the safety information section. Translations of these definitions can be found in the safety instructions section. In the general warnings section for this product, you will find instructions for warning signs used in this assembly instruction, if applicable.

This accessory is intended to be used with a Permobil wheelchair.

Contents

Important information 4
Preparation 5
Installation 6
Installation 10
Installation 12
Adjustments 13
Contact us 14

Produced and published by Permobil
Edition: 1
Date: 2022-11-04
Order no: 336696 mul



Important information

Read this manual

Read this manual, including all warning signs and instructions, before you install or maintain this accessory. Failure to follow these instructions and warning signs can lead to bodily injury or damage to the accessory or wheelchair.

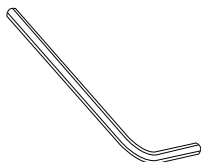
Scrapping and recycling

Contact Permobil for information about scrapping and recycling agreements in force.

Preparation



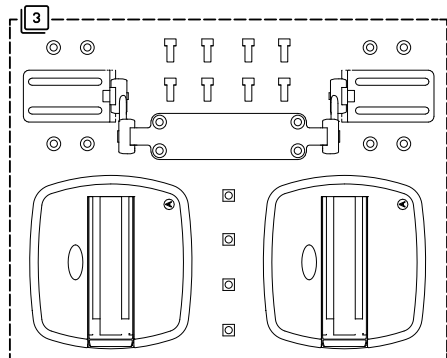
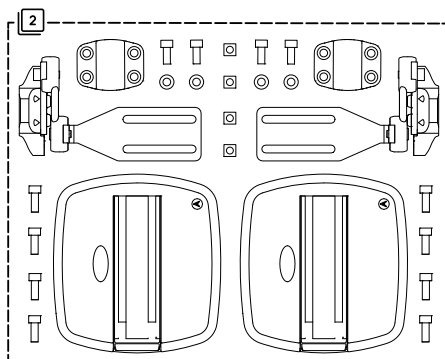
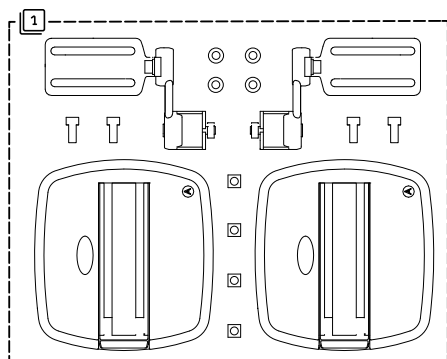
Necessary tools



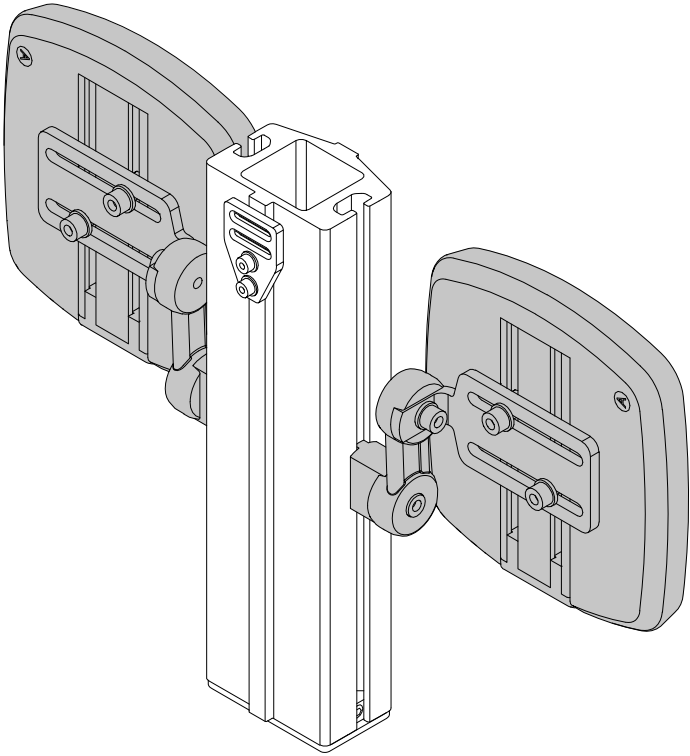
5 mm



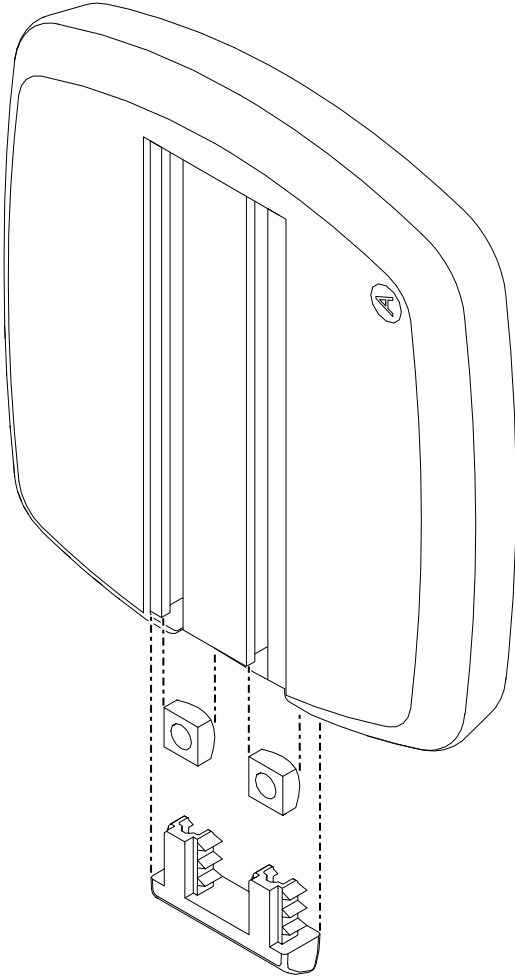
Assembly kit



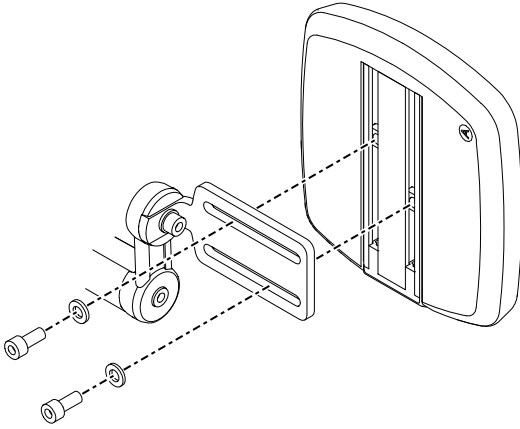
Installation 1



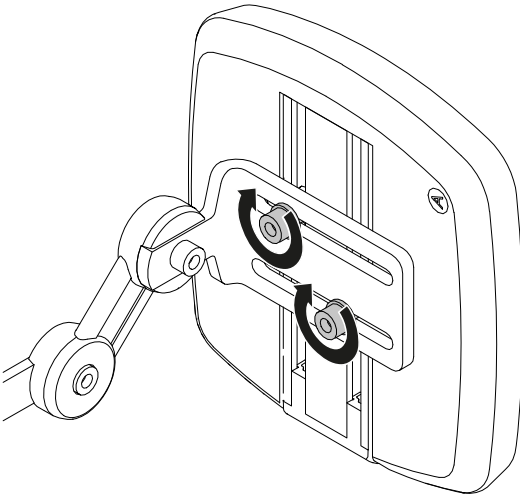
1.



2.



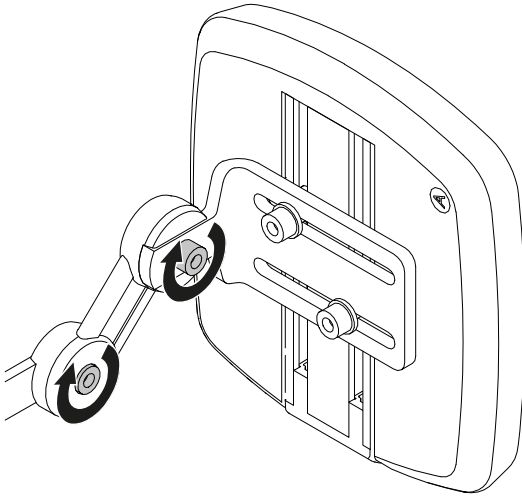
3.



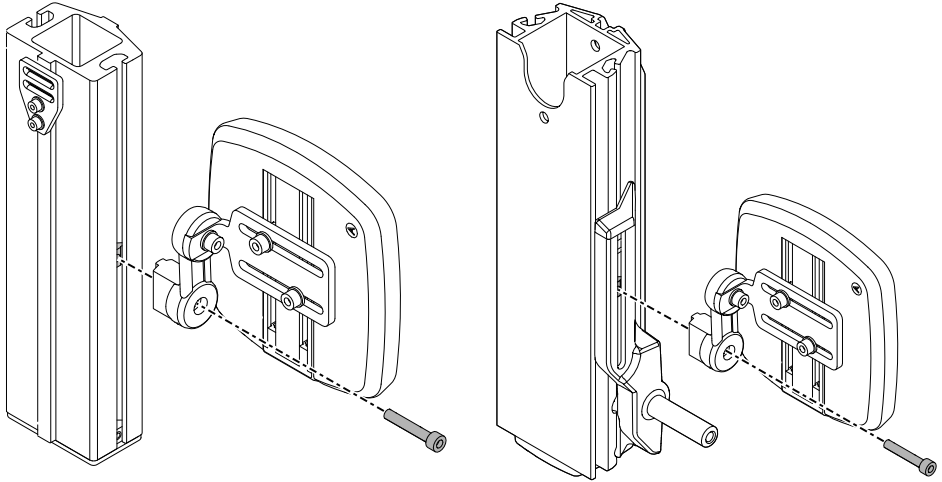
T = 9.8 N m / 7.2 lb. ft. (x4)

4.

T = 9.8 N m / 7.2 lb. ft. (x4)

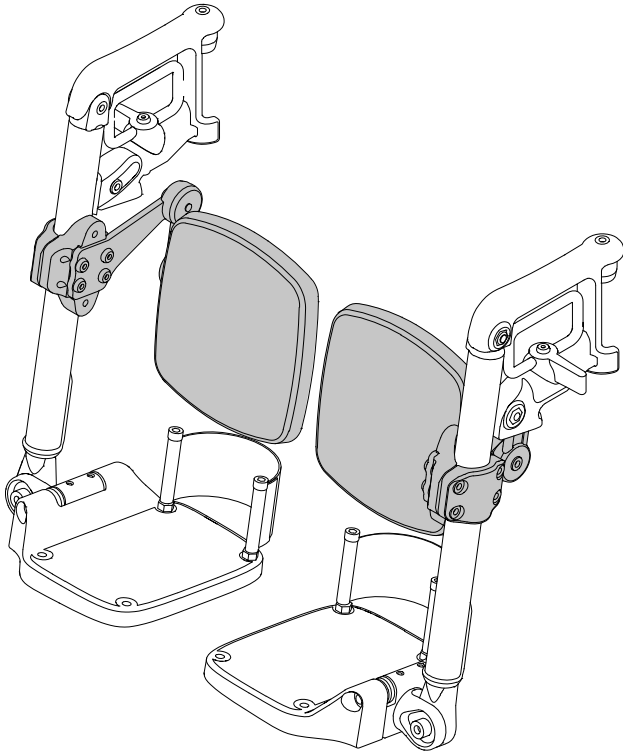


5.

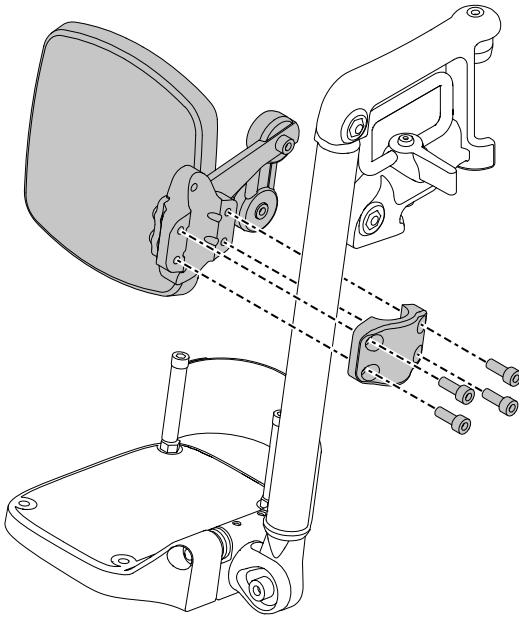


T = 9.8 N m / 7.2 lb. ft. (x2)

Installation 2

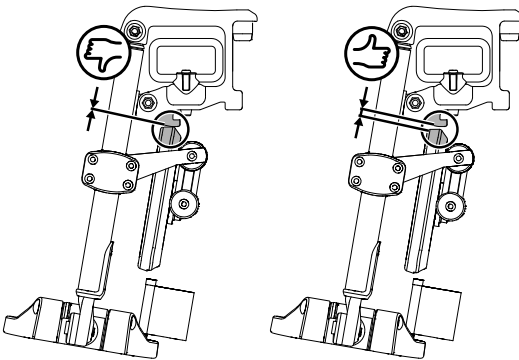


1.

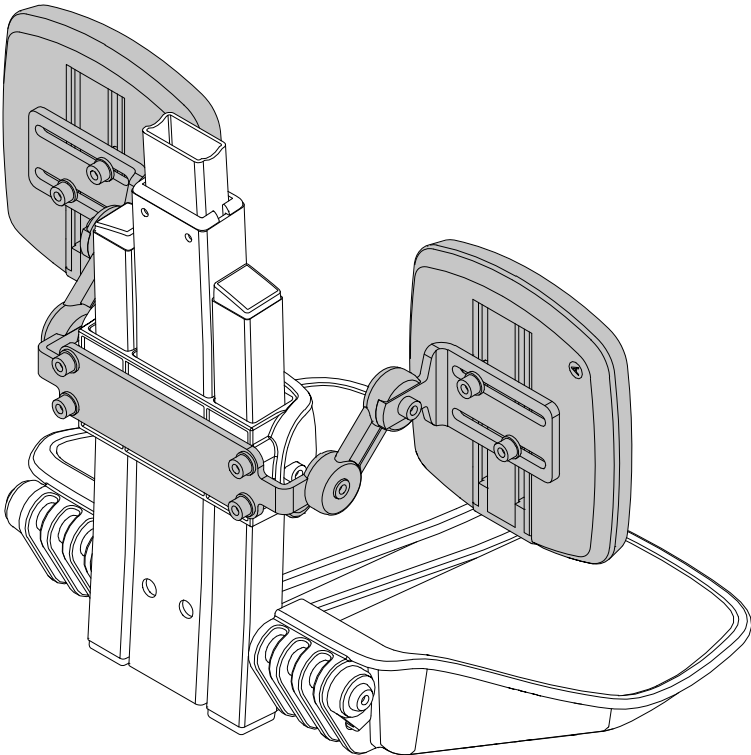


T = 9.8 N m / 7.2 lb. ft. (x8)

2.

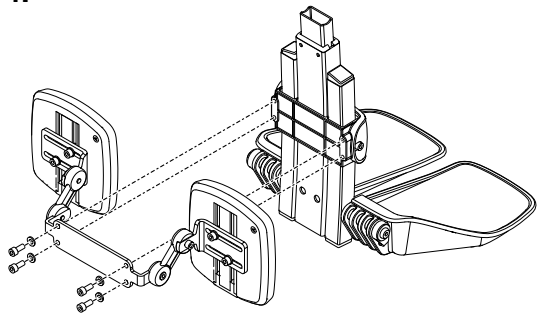


Installation 3



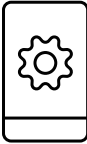
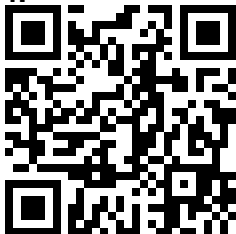
1.

T = 9.8 N m / 7.2 lb. ft. (x4)



Adjustments

1.



Contact us

Permobil AB
Per Uddéns väg 20
861 36 Timrå
Sweden



+46 60 59 59 00



info@permobil.com



www.permobil.com

Permobil Inc.
300 Duke Drive
Lebanon, TN 37090
USA



+1 800 736 0925



+1 800 231 3256



support@permobil.com



www.permobil.com

permobil

336696 mul

www.permobil.com