


**Assembly Instruction**

Document No. <b>247413</b>	Revision <b>A</b>				
Production state <b>SERIES</b>					
Preform Date <b>2011-04-14</b>	Preform By <b>TSN</b>	Approved Date <b>2011-09-05</b>	Approved By <b>GHT</b>	Page <b>1</b>	

## Mounting of Seat Mounting Plate

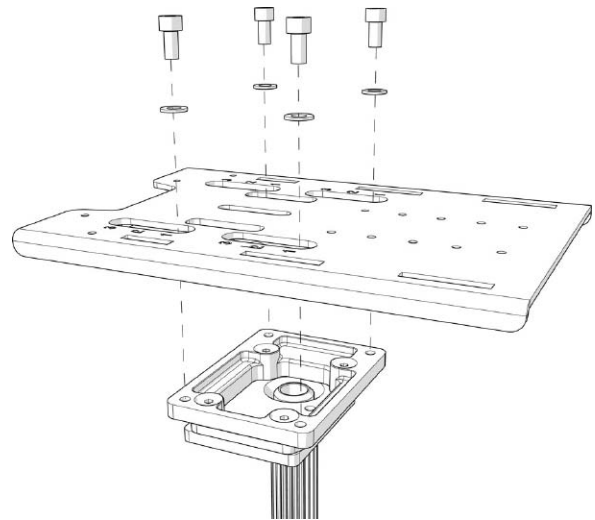
### List of parts in the set.

Qty. 1	Seat Mounting Plate	Qty. 4	Washer ISO 7089 8 200 HV Fe/Zn (8,4x16x1,6)
Qty. 4	Screw ISO 4762 M8 x16 8.8 Fe/Zn		

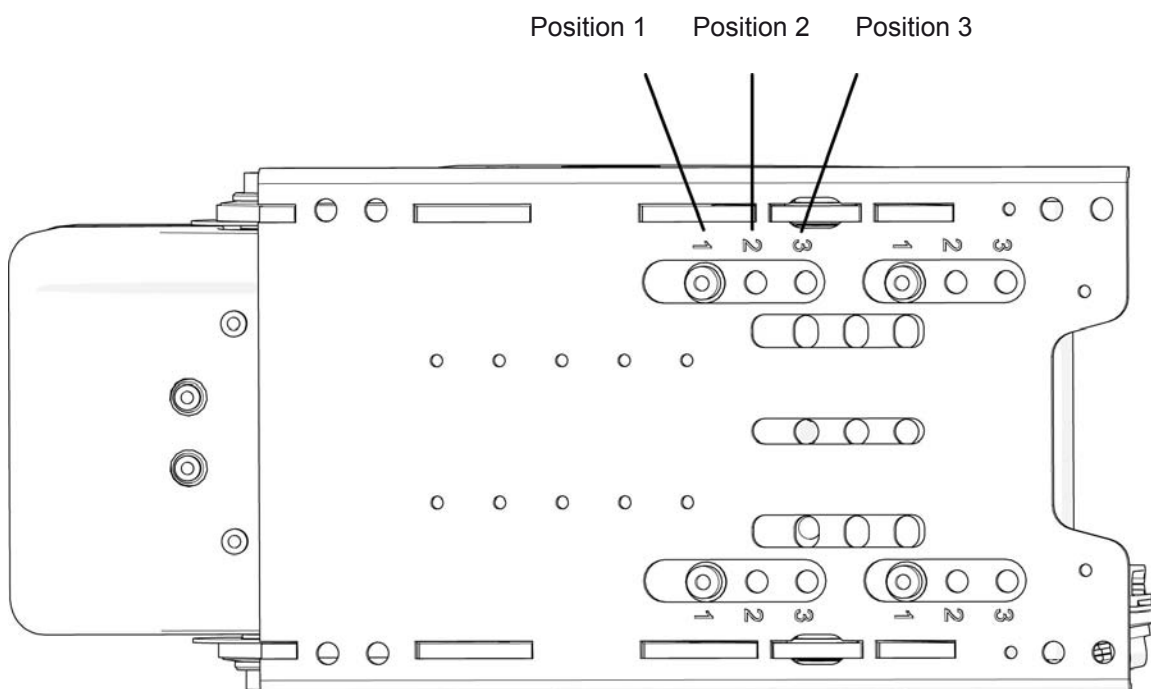
### Assembly

Read the instructions carefully *before* starting installation.

1. The Seat Mounting Plate can be fitted in three different positions, depending on which chassis it is being mounted on and the seat depth of the seat. See table on page 2.
2. Position the Seat Mounting Plate on the Seat Lift/Seat Post. See fig.
3. Fit the Seat Mounting Plate using the four attached screws (M8x16) and washers. See fig. Use a torque wrench to tighten the screws. **Tightening torque 17.7 ft-lbs (24Nm).**




*Fitting the Seat Mounting Plate.*



*The Seat Mounting Plate can be mounted in three different positions, depending on which chassis it is being mounted on and the seat depth of the seat.*

**Assembly Instruction**


Document No. <b>247413</b>	Revision <b>A</b>				
Production state <b>SERIES</b>					
Preform Date <b>2011-04-14</b>	Preform By <b>TSN</b>	Approved Date <b>2011-09-05</b>	Approved By <b>GHT</b>	Page <b>2</b>	

**Mounting positions with Corpus 3G**

<b>Seat depth</b>	<b>C300/C350</b>	<b>M300/M400</b>	<b>C400</b>	<b>C500</b>	<b>C500S</b>
<b>370 mm. / 15"</b>	Position 1	Position 1	Position 1	Position 1	Position 1
<b>395 mm. / 16"</b>	Position 1	Position 1	Position 1	Position 1	Position 1
<b>420 mm. / 17"</b>	Position 1	Position 1	Position 1	Position 1	Position 1
<b>445 mm. / 18"</b>	Position 1	Position 1	Position 1	Position 1	Position 1
<b>470 mm. / 19"</b>	Position 1	Position 1	Position 1	Position 1	Position 1
<b>495 mm. / 20"</b>	Position 1	Position 1	Position 1	Position 1	Position 1
<b>520 mm. / 21"</b>	Position 1	Position 1	Position 2	Position 2	Position 2
<b>545 mm. / 22"</b>	Position 2	Position 2	Position 3	Position 3	Position 3
<b>570 mm. / 23"</b>	Position 3	Position 3	Position 3	Position 3	Position 3

*The mounting position for the Seat Mounting Plate depends on the chassis model and the seat depth setting. The table shows mounting positions for standard model wheelchairs; accessories such as height-adjustable footplates or a respirator shelf may affect the mounting position. Contact Permobil in case of doubt.*

**Assembly Instruction**

Document No. 247413	Revision A				
Production state SERIES					
Preform Date 2011-04-14	Preform By TSN	Approved Date 2011-09-05	Approved By GHT	Page 3	

## Montering av Sitsmonteringsplåt

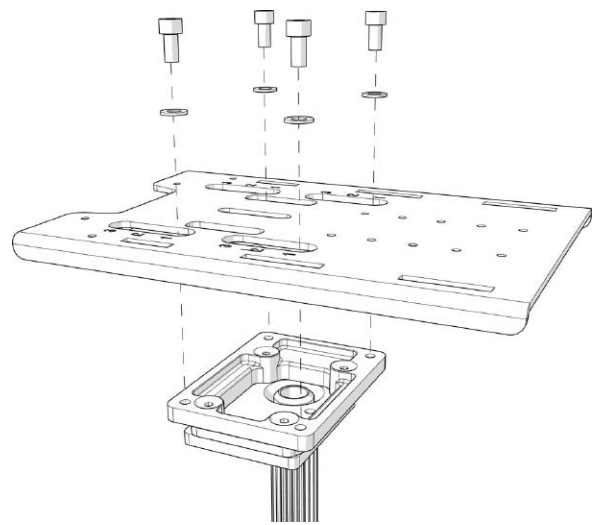
### Förteckning över detaljer som skall finnas i satsen.

1st	Sitsmonteringsplåt	4st	Bricka ISO 7089 8 200 HV Fe/Zn (8,4x16x1,6)
4st	Skruv ISO 4762 M8 x16 8.8 Fe/Zn		

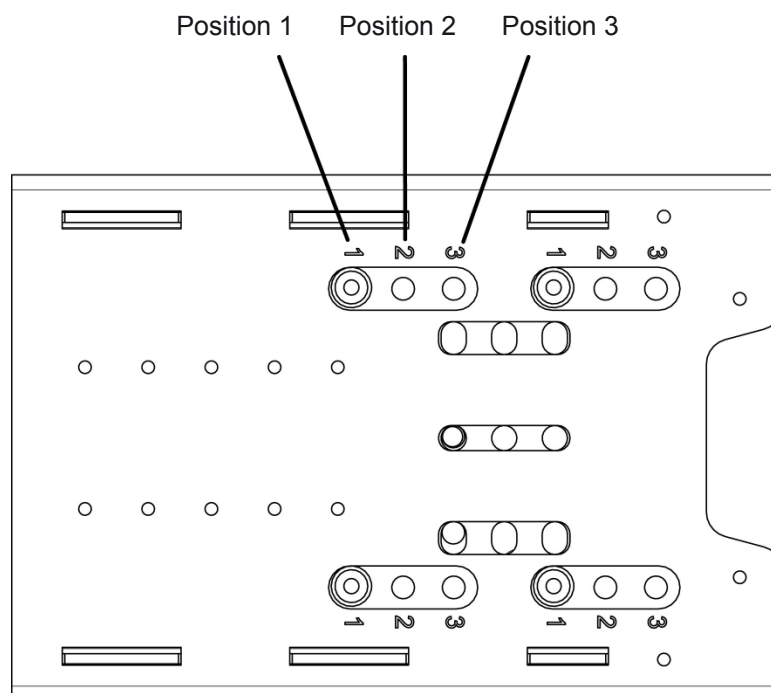
### Montering

Läs igenom anvisningen *innan* montering påbörjas.

1. Montering kan ske i tre olika positioner berorende på vilket chassi som monteringen sker på samt vilket sitsdjup sitsen har, se tabell på sidan 2.
2. Placera sitsmonteringsplåten på sitslyften/det fasta sitsröret.
3. Montera sitsmonteringsplåten med de fyra medföljande skruvarna (M8x16) samt brickor. Se bild till höger. Dra åt skruvarna med hjälp av momentnyckel. **Åtdragningsmoment 24Nm.**




Montering av sitsmonteringsplåt.



Montering kan ske i tre olika positioner berorende på vilket chassi och sits som monteringen sker på samt vilket sitsdjup sitsen har.

**Assembly Instruction**

Document No. <b>247413</b>	Revision <b>A</b>				
Production state <b>SERIES</b>					
Preform Date <b>2011-04-14</b>	Preform By <b>TSN</b>	Approved Date <b>2011-09-05</b>	Approved By <b>GHT</b>	Page <b>4</b>	

**Monteringspositioner med Corpus 3G**

Sitsdjup	C300/C350	M300/M400	C400	C500	C500S
<b>370 mm. / 15"</b>	Position 1	Position 1	Position 1	Position 1	Position 1
<b>395 mm. / 16"</b>	Position 1	Position 1	Position 1	Position 1	Position 1
<b>420 mm. / 17"</b>	Position 1	Position 1	Position 1	Position 1	Position 1
<b>445 mm. / 18"</b>	Position 1	Position 1	Position 1	Position 1	Position 1
<b>470 mm. / 19"</b>	Position 1	Position 1	Position 1	Position 1	Position 1
<b>495 mm. / 20"</b>	Position 1	Position 1	Position 1	Position 1	Position 1
<b>520 mm. / 21"</b>	Position 1	Position 1	Position 2	Position 2	Position 2
<b>545 mm. / 22"</b>	Position 2	Position 2	Position 3	Position 3	Position 3
<b>570 mm. / 23"</b>	Position 3	Position 3	Position 3	Position 3	Position 3

*Sitsmonteringsplåtens monteringsläge är beroende på modell av chassi och inställt sitsdjup. Tabellen visar monteringslägen för rullstol i standardutförande, tillbehör som ex. elektriskt höjbara fotplattor och respiratorhylla kan påverka monteringsläget, kontakta Permobil vid osäkerhet.*