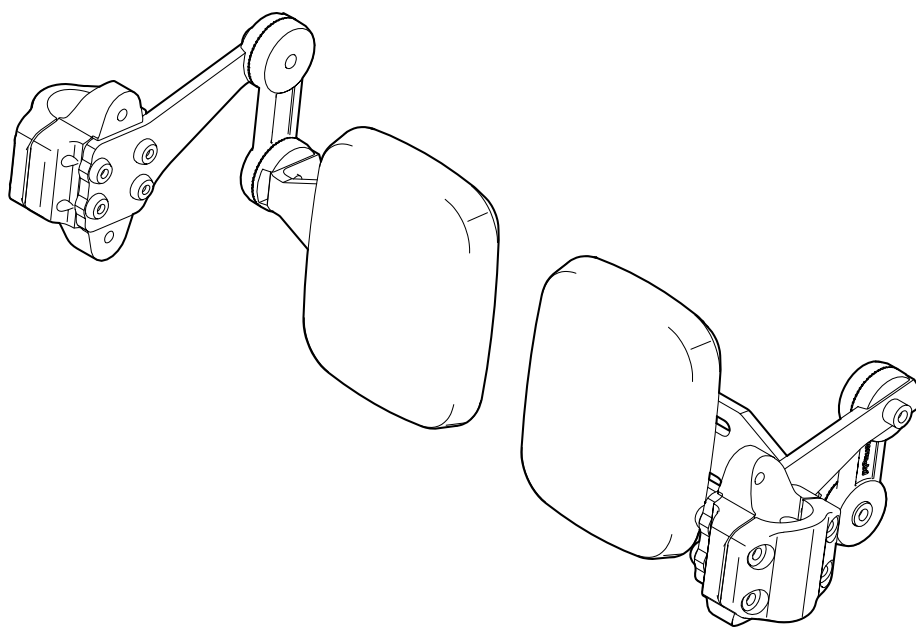


# Swing Away Calf Support

Assembly instruction



## Thank you for choosing to be part of the Permobil family!

This is the Assembly Instruction of your new accessory. An assembly instruction is not a stand-alone document, but rather a complement to the wheelchair's User's Manual. It can sometimes refer to the User's Manual or the Service Manual.

This Assembly Instruction contains important information, installation instructions, and adjustment instructions. The instructions on how to install the accessory are intended for the service technician only. All other parts of the Assembly Instruction are intended for both the service technician and the user of the wheelchair. In the section Safety information, you find definitions of the admonitions used in this Assembly Instruction. Translations of these definitions can be found in the section Safety instructions. In the section General warnings for this product you find instructions for admonitions used in this Assembly Instruction, if any.

We hope that you are going to enjoy your new accessory. This accessory is intended to be used with a Permobil wheelchair. For more information regarding indoor and outdoor use, and for further information about your wheelchair, please see the wheelchair's User's Manual.

# Contents

Important information .....	4
Safety information .....	5
Preparation.....	6
Installation.....	7
Adjustment .....	9
Safety instructions.....	16
Contact us .....	17

# Important information

## Read this manual

Read this manual, including all admonitions and instructions, before you install, maintain, or use your accessory. Failure to follow these instructions and admonitions can lead to bodily injury or damage to the accessory or wheelchair.

## Visually impaired

This document can be downloaded at [www.permobil.com](http://www.permobil.com). If you are visually impaired, use the magnifying glass in your PDF reader to achieve desired text and picture size.

## Order or download a copy of the instructions

If you need another copy of this Assembly Instruction, you can order one from Permobil. Please state the order number specified on the back cover. You can also download a copy from our website: [www.permobil.com](http://www.permobil.com)

## Service and repairs

Please refer to the wheelchair's User's Manual for information about service and repairs.

## Reporting an incident

Please contact Permobil or your dealer if you want to report an incident. The accessory does not have a serial number. However, if the accessory is attached to the wheelchair, we will ask for the wheelchair's serial number. This serial number is located on the chassis.

## Warranty and expected service life

Contact your dealer or Permobil for information about the warranty period of this product. You can find the conditions of the warranty and further information about applicable warranties on our website.

This accessory has an expected service life of five years.

## Scrapping and recycling

Contact Permobil for information about scrapping and recycling agreements in force.

# Safety information

The following safety labels are used throughout this manual to draw attention to items of significant importance to safety:

## Labels



Notice

Signal word used to indicate informative remarks.

# Preparation



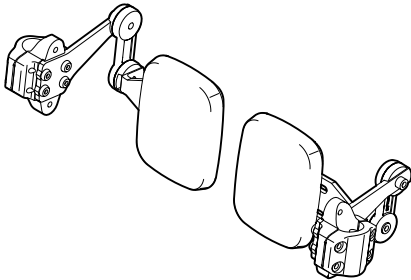
Necessary tools



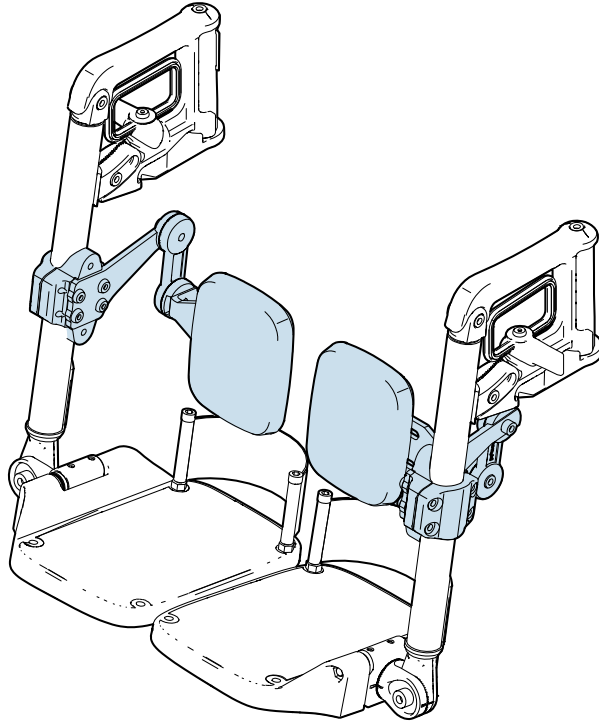
5 mm



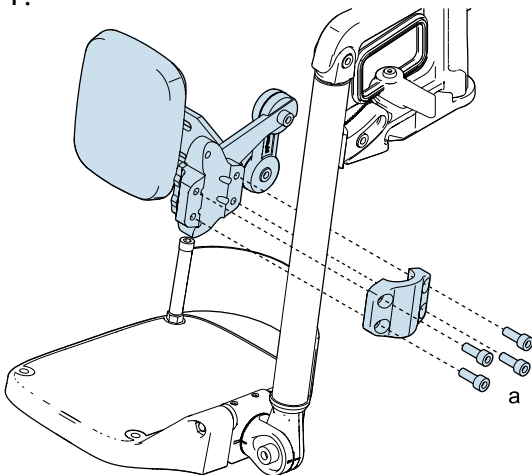
Assembly kit



# Installation

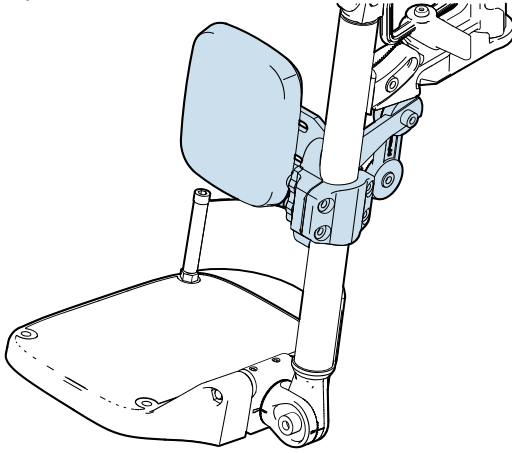


1.



a = 9,8 Nm

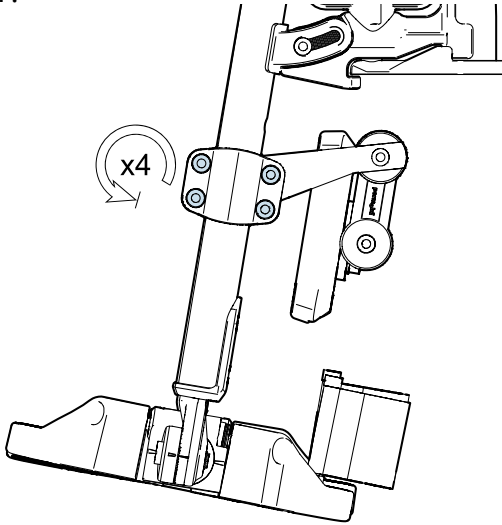
2.



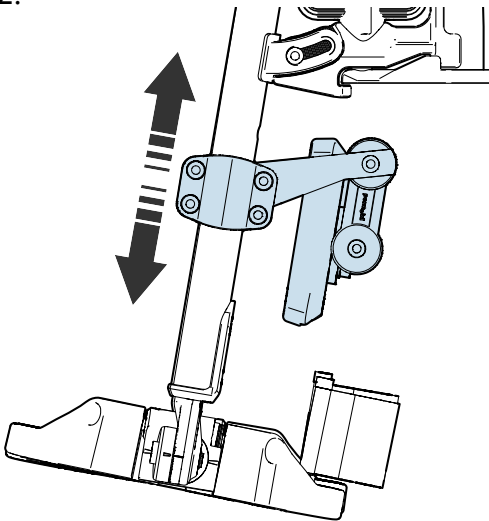


# Adjustment

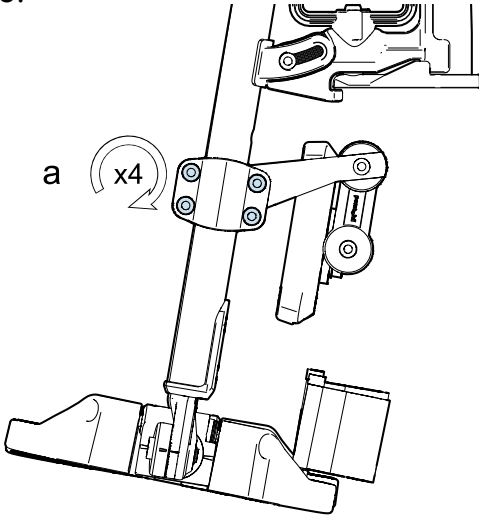
1.



2.

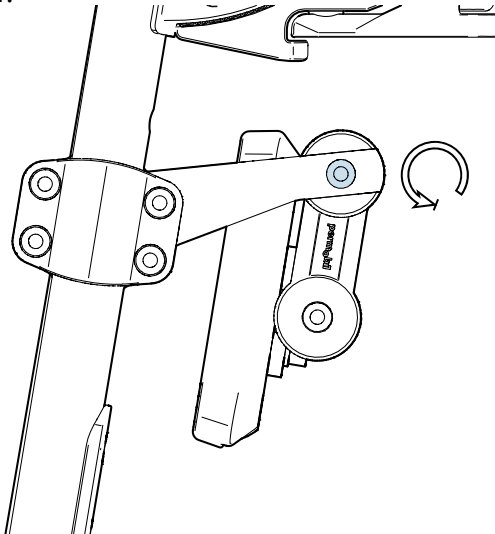


3.

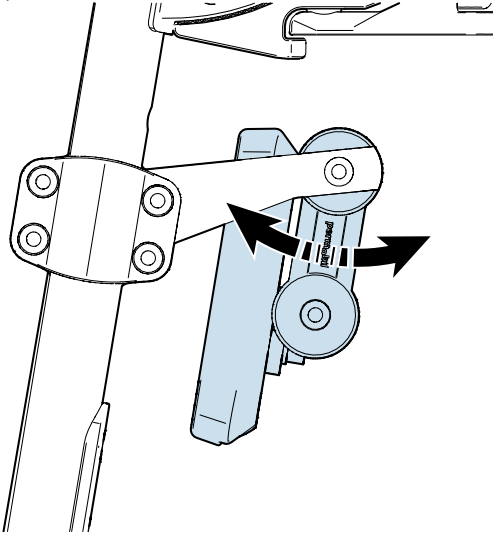


a = 9,8 Nm

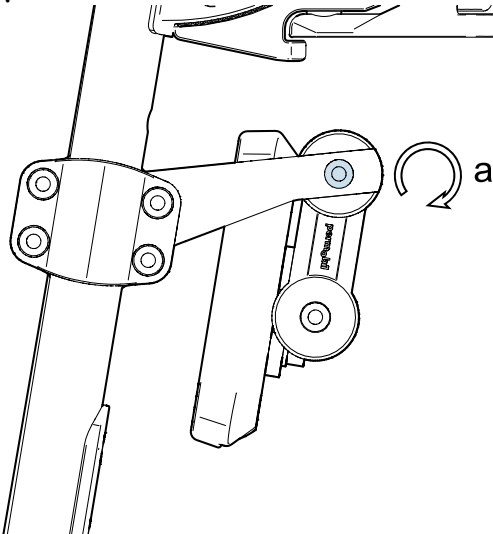
4.



5.

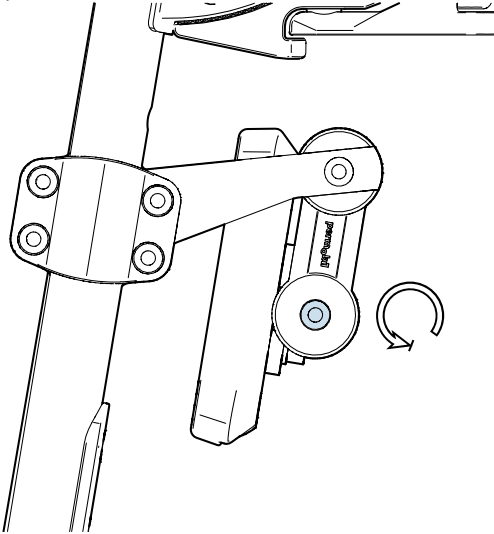


6.

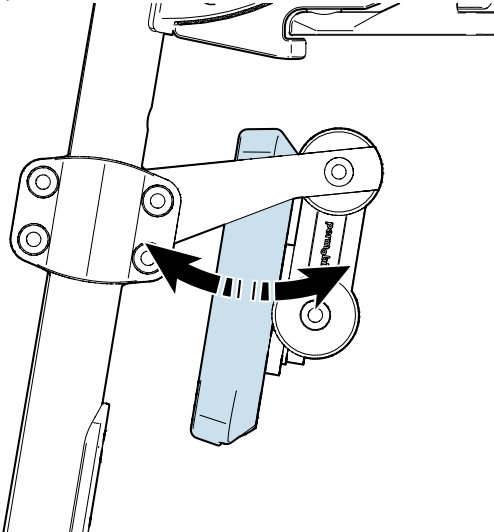


a = 9,8 Nm

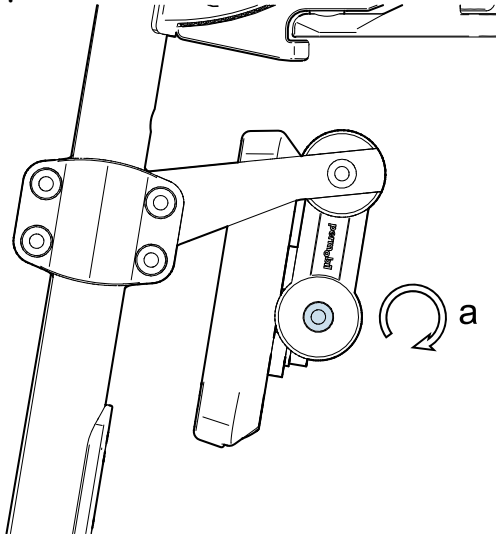
7.



8.

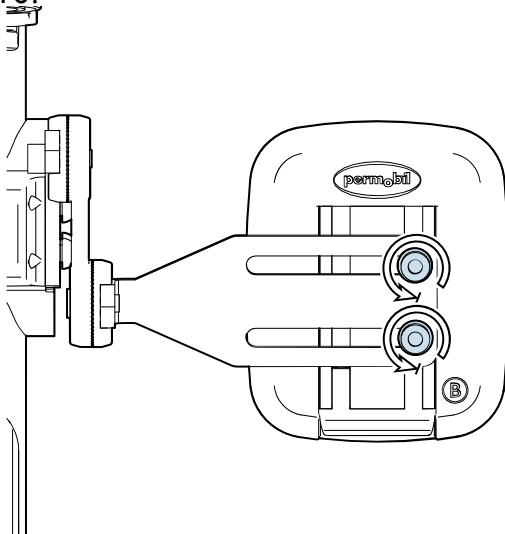


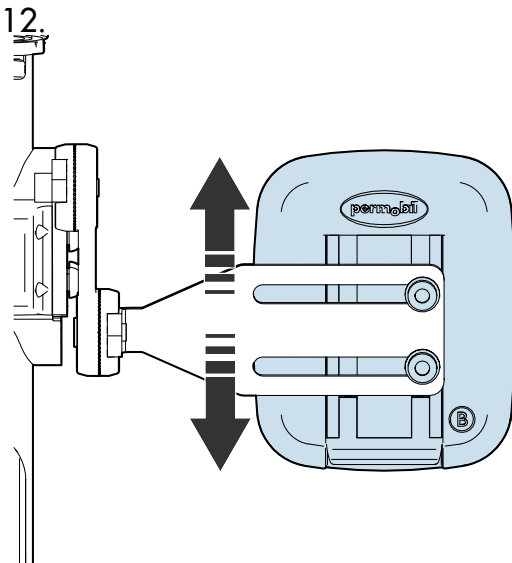
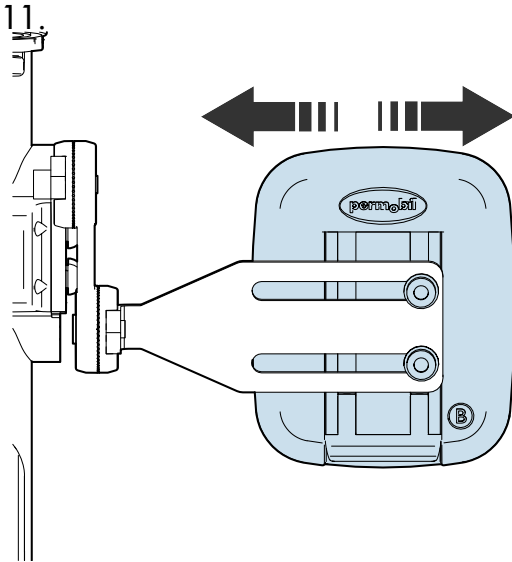
9.



$a = 9,8 \text{ Nm}$

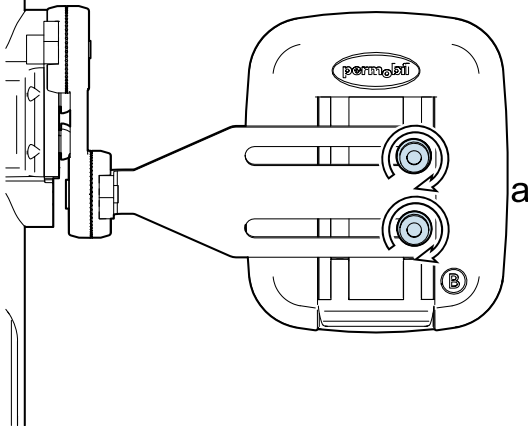
10.



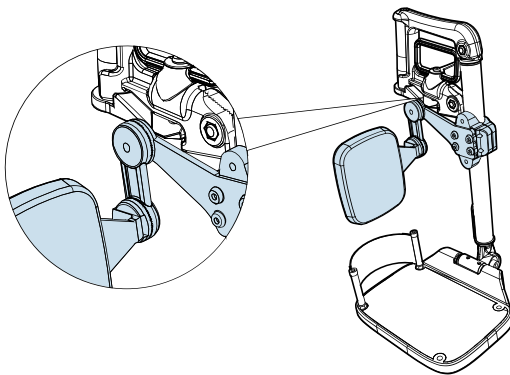


13.

a = 9,8 Nm



14.



① Notice

Lower the calf support if the locking mechanism blocks it.

MUL page 16

# Safety instructions

## Notice



① Notice

US: Lower the calf support if the locking mechanism blocks it.



## Contact us

Permobil AB

Box 120

861 23 Timrå

Sweden

Tel.: +46 60 59 59 00

Fax: +46 60 57 52 50

E-mail: [info@permobil.com](mailto:info@permobil.com)

Web: [www.permobil.com](http://www.permobil.com)

Permobil Inc.

300 Duke Drive

Lebanon, TN 37090

USA

Tel.: 800.736.0925

Fax: 800.231.3256

E-mail: [TechSupport@permobil.com](mailto:TechSupport@permobil.com)

Web: [www.permobilus.com](http://www.permobilus.com)

# permobil

Produced and published by Permobil  
Edition: 1  
Date: 2018-05-08  
Order no: 334464 mul

