


**Assembly Instruction**

Document No. 247416	Revision A.00				
Production state					
Preform Date 2011-04-14	Preform By TSN	Approved Date	Approved By	Page 1	

## Mounting of Seat Mounting Adapter

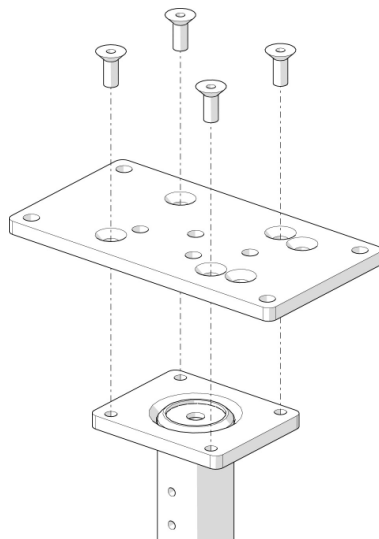
**List of parts in the set.**

- Qty. 1 Seat Mounting Adapter  
Qty. 4 Screw ISO 4762 M8x20 10.9 Fe/Zn

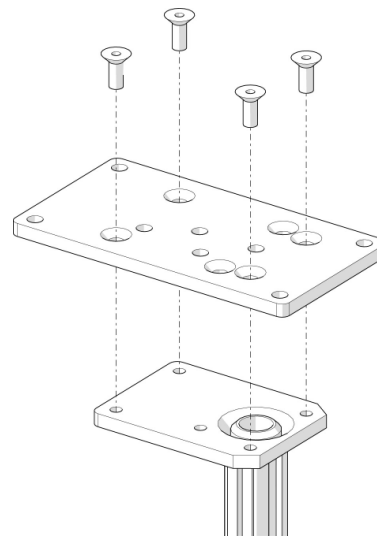
### Assembly

Read the instructions carefully *before* starting installation.

1. Position the Seat Mounting Adapter on the Seat Lift/Fixed Seat Post. See fig. below.
3. Fit the Seat Mounting Adapter using the four attached screws (M8x20). See fig. below. Use a torque wrench to tighten the screws. **Tightening torque 24ft-lbs (33Nm).**




*Fitting the Seat Mounting Adapter  
on Fixed Seat Post.*



*Fitting the Seat Mounting Adapter  
on Seat Lift.*

**Assembly Instruction**

Document No. 247416	Revision A.00				
Production state					
Preform Date 2011-04-14	Preform By TSN	Approved Date	Approved By	Page 2	

## Montering av Sitsmonteringsadapter

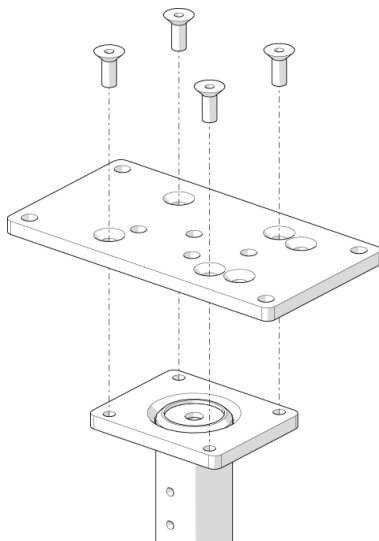
### Förteckning över detaljer som skall finnas i satsen.

- Qty. 1 Sitsmonteringsadapter  
Qty. 4 Skruv ISO 4762 M8x20 10.9 Fe/Zn

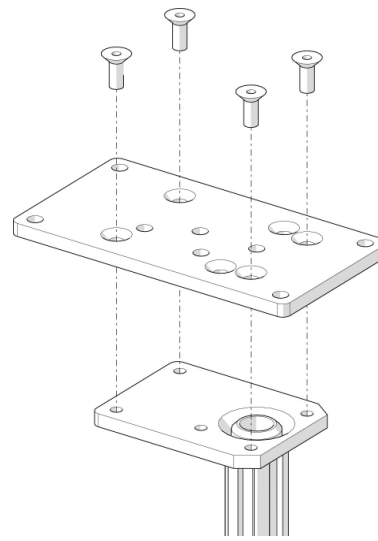
## Montering

Läs igenom anvisningen *innan* montering påbörjas.

1. Placera Sitsmonteringsadaptern på sitslyften/det fasta sitsröret, se bild nedan.
3. Montera Sitsmonteringsadaptern med de fyra medföljande skruvarna (M8x20), se bild nedan. Dra åt skruvarna med hjälp av momentnyckel. **Åtdragningsmoment 33Nm.**



Montering av sitsmonteringsadapter på fast sitsrör.



Montering av sitsmonteringsadapter på sitslyft.